



The Natural Implant System

Predictable. Reliable. Innovative.

The Implant Surface

Nano sandblasting and acid etching



Ritter Implants are made of a "Grade 5" natural Titanium alloy (Ti6AL4VELI: 90% Titanium, 6% aluminum, 4% vanadium), which goes through a special sandblasting and etching process.

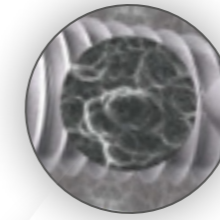
Our method creates large surface differences that allow **strong absorption of plasma proteins and blood** into the micropores of the implant immediately after insertion. Likewise, rapid osseointegration and higher primary stability, which allows immediate loading, are guaranteed.

Nano sandblasting and acid etching of the implant surface

- Sandblasting creates a macro surface of 20-40 microns
- Double thermal acid etching process creates structures between 1-5 microns
- Material forms a hydrophilic Titanium oxide layer

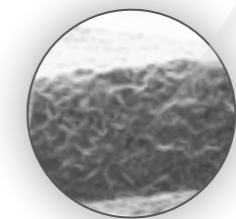
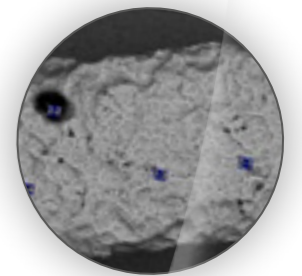
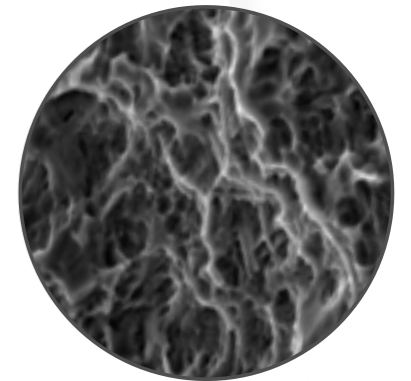
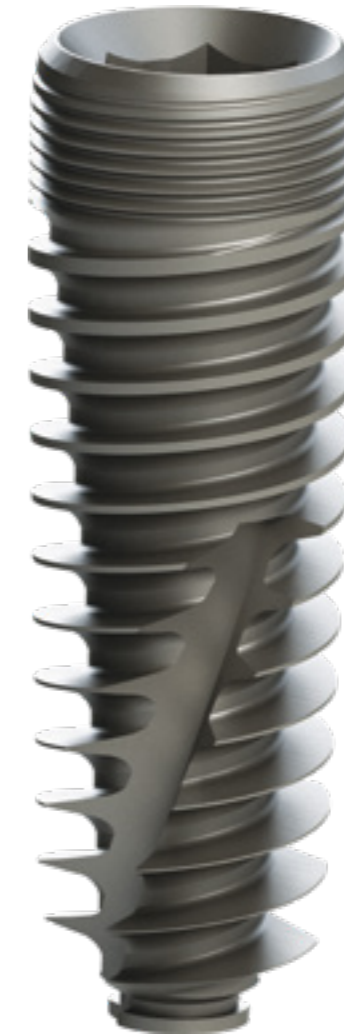
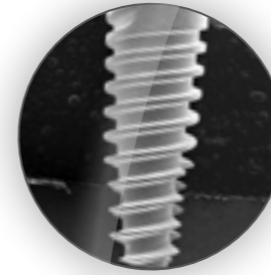
Benefits

- Bone strengthening due to early Implant contact
- Increased stability
- Shortened healing phase
- Higher predictability of the healing process



Ritter Implant Production is located near Tuttlingen in Southern Germany, on the edge of the Black Forest. The Ritter Implants brand stands for highest quality, state of the art technologies and innovative products. Made in Germany.

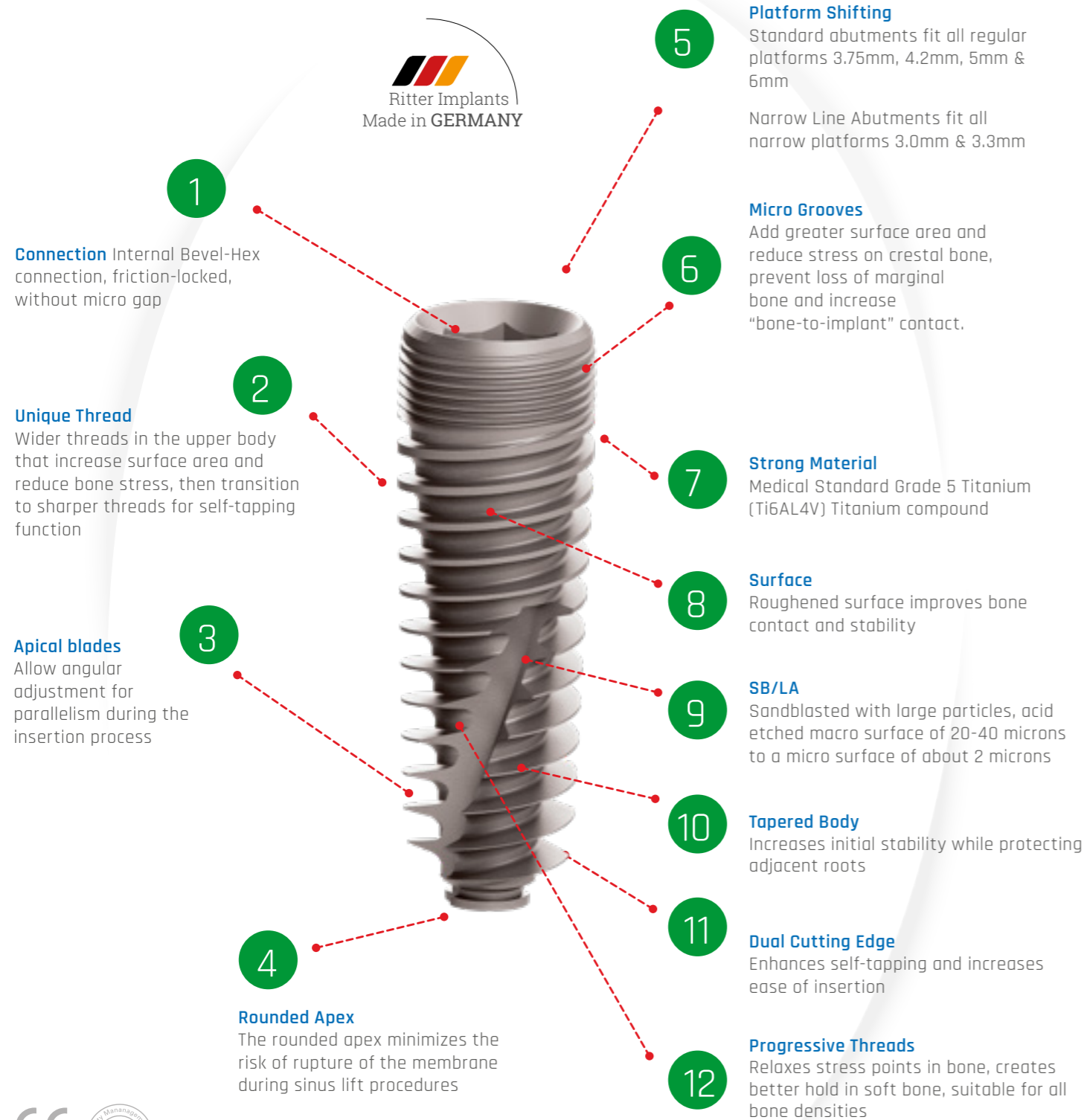
Images taken with a scanning electron microscope SEM-Method



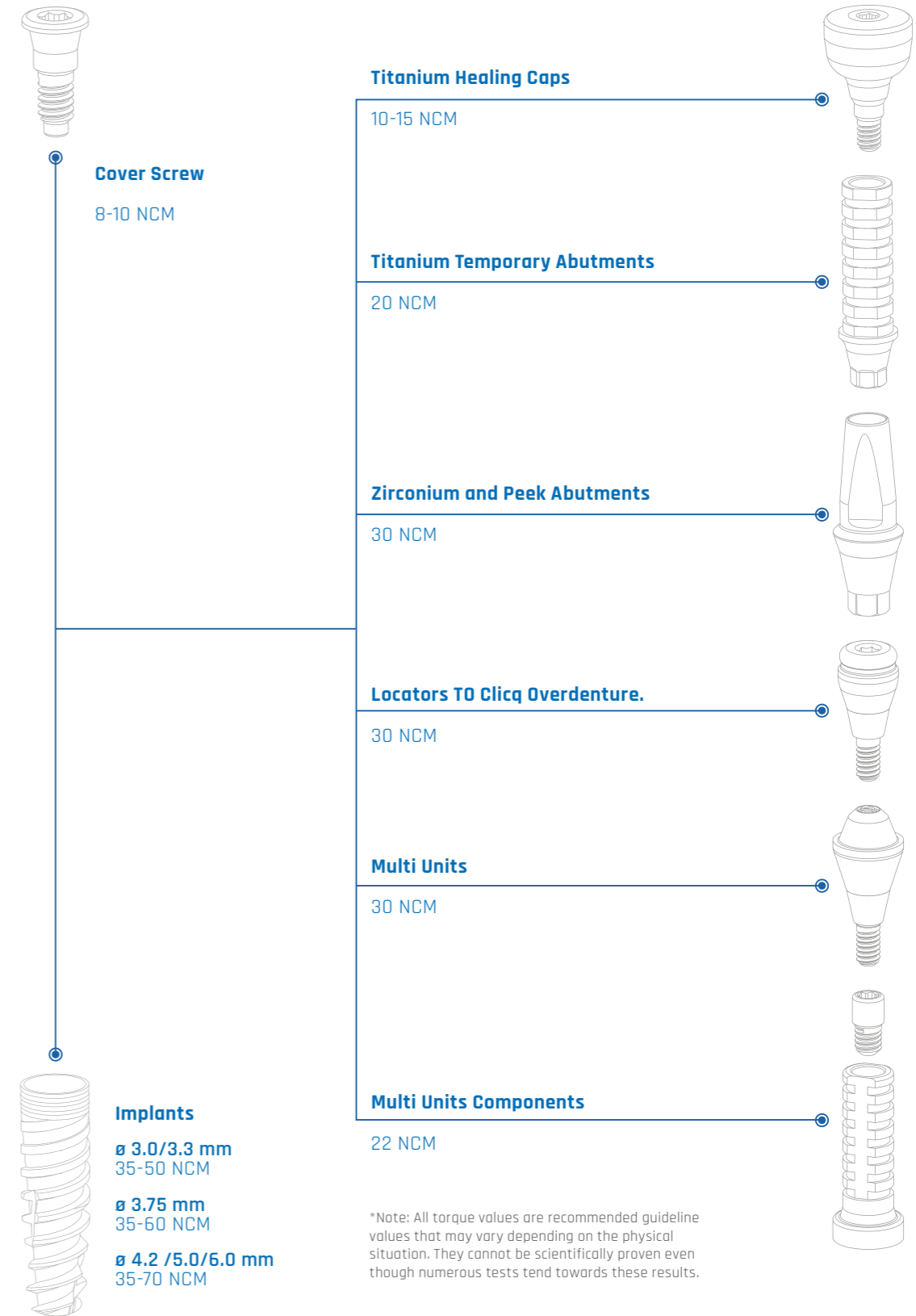
- SB/LA
- Pure
 - Germ & particle free
 - Hydrophilic
 - Osseointegrative

The key features of our Implant construction

Ritter Implants are manufactured in Germany and are made of a „Grade 5“ Titanium alloy (Ti6AL4VELI: 90% Titanium, 6% aluminum, 4% vanadium).

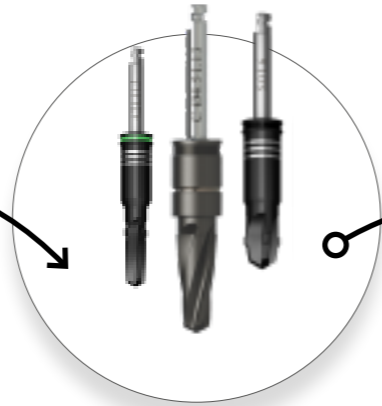


Recommended torques*



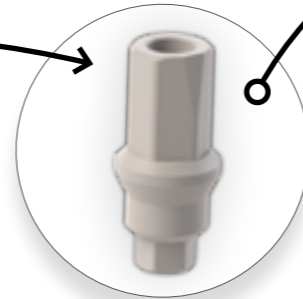
Surgical Kits

Ritter Surgical Kits include drills, insertion tools and torque ratchets



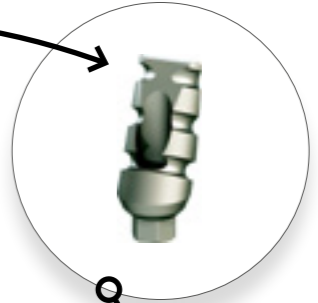
Drills

Ritter Implants high performance drills are designed with a long-lasting special coating and integrated drill stops.



The Digital Ritter Implants Scan Abutment

Scan abutment for the digital imprint



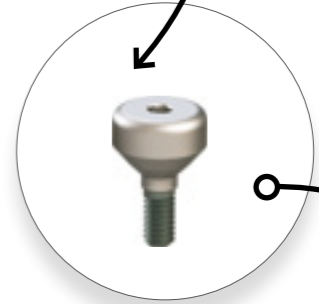
Analog Impression

whether digital, open or closed - Ritter Implants can even offer angled impression posts



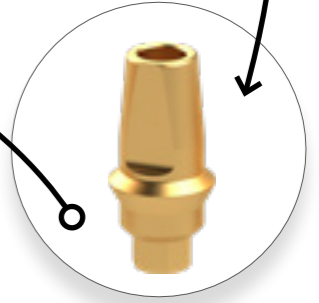
Implants

available in variable diameters and lengths, also with $\varnothing 3.0$ and $\varnothing 3.3$ mm



Healing Caps

in many sizes and variations for perfect gingiva shaping



Restoration Abutments

Ritter Implants offers a wide range of titanium, zirconium or peek abutments, angled or straight - to suit your individual working style

The Choice is Yours:

Ritter Implants offers for all cases and applications a well thought-out line of implants and prosthetic components



So easy.

Implant Sizes and Lengths

SB/LA Implant (surface sandblasted and acid etched)

Standard Platform



The different diameters are color coded and help with easy handling.

| SBLA | Spiral Implant 3.75 | Spiral Implant 4.2 | Spiral Implant 5.0 | Spiral Implant 6.0 |
|-----------------|---------------------------|---------------------------|---------------------------|---------------------------|
| ∅ (mm) | 3.75 | 4.2 | 5.0 | 6.0 |
| Length (mm) | 8, 10, 11.5, 13, 16 | 8, 10, 11.5, 13, 16 | 6, 8, 10, 11.5, 13, 16 | 6, 8, 10, 11.5, 13 |
| Apical ∅ (mm) | 3.2 | 3.6 | 4.25 | 5.25 |
| Platform ∅ (mm) | 3.75 | 3.75 | 3.75 | 3.75 |
| Surface | SB/LA | SB/LA | SB/LA | SB/LA |
| Hex-Size | 2.43 | 2.43 | 2.43 | 2.43 |
| Connection | Internal Hex 3.75, 2.9 mm | Internal Hex 3.75, 2.9 mm | Internal Hex 3.75, 2.9 mm | Internal Hex 3.75, 2.9 mm |



The narrow diameters: Narrow Line

| SBLA | Narrow Line Spiral Implant 3.0 |
|-----------------|--------------------------------|
| ∅ (mm) | 3.0 |
| Length (mm) | 10, 11.5, 13, 16 |
| Apical ∅ (mm) | 2.3 |
| Platform ∅ (mm) | 3.0 |
| Surface | SB/LA |
| Hex-Size | 2.0 |



| SBLA | Narrow Line Spiral Implant 3.3 |
|-----------------|--------------------------------|
| ∅ (mm) | 3.3 |
| Length (mm) | 10, 11.5, 13, 16 |
| Apical ∅ (mm) | 2.3 |
| Platform ∅ (mm) | 3.0 |
| Surface | SB/LA |
| Hex-Size | 2.0 |



The Unique Packaging Design

The lot sizes are clearly marked on the outside, so the treatment team can quickly and reliably identify the diameter and length of the implant.

All implants and prosthetic components are supplied in single or 10-packs.

The new Ritter Spiral Implant SB/LA is protected by a sealed package with a sterile barrier.

The implant is supplied including the Cover Screw, which is located in the bottom lid of the inner tube.







- Clear
- Simple
- Sophisticated








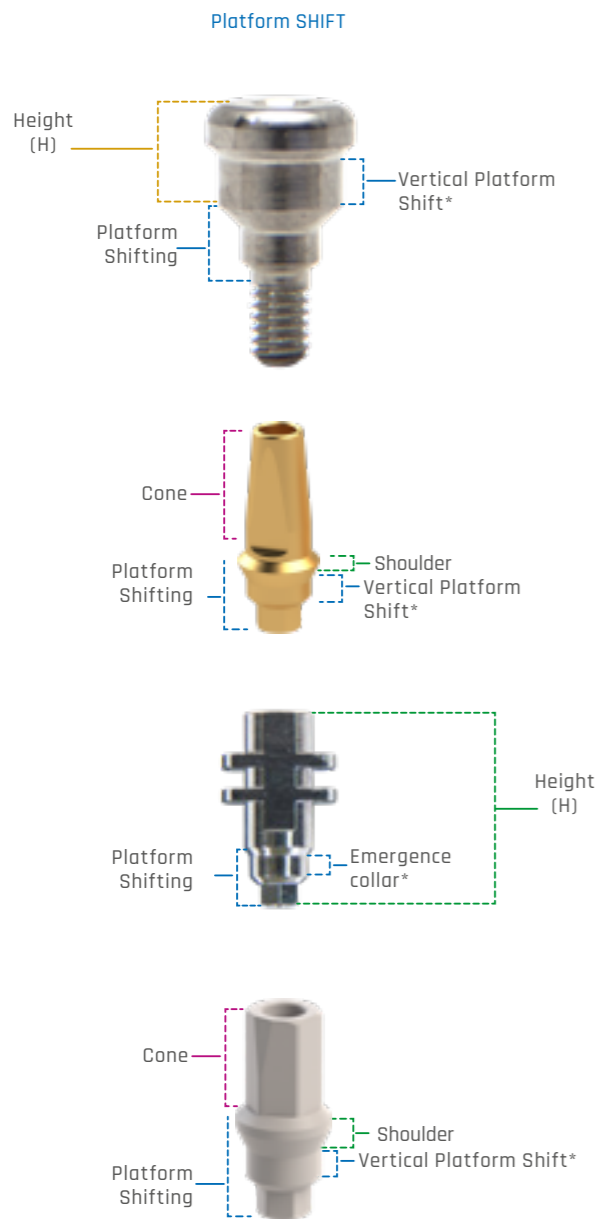
Our Nature-Implants-Production is sustainable and CO₂ neutral. Ritter Implants cares about future for coming generations.

Regular Platform with internal HEX connection 2.43 mm Ritter SB/LA Spiral Implant

| Product | Art. No. | Description |
|---|--|---|
|  | SNAP-3.75-8 SNAP-3.75-10 SNAP-3.75-11.5 SNAP-3.75-13 SNAP-3.75-16 | Spiral Implant with SB/LA Surface / Diameter / Length Ø 3.75 mm |
|  | SNAP-4.2-8 SNAP-4.2-10 SNAP-4.2-11.5 SNAP-4.2-13 SNAP-4.2-16 | Spiral Implant with SB/LA Surface / Diameter / Length Ø 4.2 mm |
|  | SNAP-5.0-6 SNAP-5.0-8 SNAP-5.0-10 SNAP-5.0-11.5 SNAP-5.0-13 SNAP-5.0-16 | Spiral Implant with SB/LA Surface / Diameter / Length Ø 5.0 mm |
|  | SNAP-6.0-6 SNAP-6.0-8 SNAP-6.0-10 SNAP-6.0-11.5 SNAP-6.0-13 | Spiral Implant with SB/LA Surface / Diameter / Length Ø 6.0 mm |

Narrow Line with HEX Connection 2.0 mm

| Product | Art. No. | Description |
|---|--|---|
|  | NL-SNAP-3-10 NL-SNAP-3-11.5 NL-SNAP-3-13 NL-SNAP-3-16 | Spiral Implant with SB/LA Surface / Diameter / Length Ø 3.0 mm |
|  | NL-SNAP-3.3-10 NL-SNAP-3.3-11.5 NL-SNAP-3.3-13 NL-SNAP-3.3-16 | Spiral Implant with SB/LA Surface / Diameter / Length Ø 3.3 mm |
| ATTENTION: The Narrow Line Implants have a smaller platform than the Standard Implants. In each case, insertion instruments with a smaller HEX diameter must be used here. | | |
|  | For cover Screw |  For Implant MMIB, RDI-9/15 mm Length For Hex 2.43 mm NL-RDI, NL-MMIB |
|  | Hand Hex Driver for Abutments HHDA for Hex 1.29 mm For abutments HHDA and RDA | |

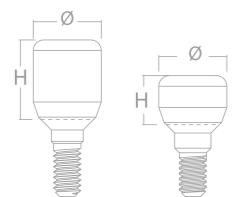


Soft tissue management support in preparation for vertical platform shifting

*All Platform Shifting products are equipped with a 1mm vertical platform shift unless otherwise specified.

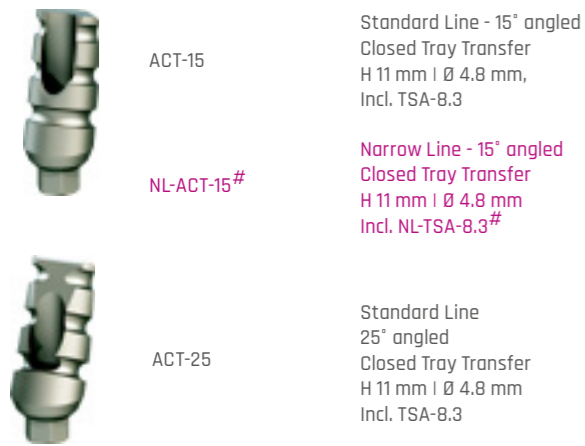
| | | | | | |
|--|-----------|---|--|------------|---|
| | HC-3 | Standard Line, H 3mm Ø 4.5 mm | | HC-3C° | Standard Line, H 3mm Ø 4.5 mm C°= 1mm Vertical Platform Shift |
| | NL-HC-3# | Narrow Line H 3 mm Ø 4.5 mm | | NL-HC-3C°# | Narrow Line, H 3 mm Ø 4.5 mm C°= 1 mm Vertical Platform Shift |
| | HC-3N | Standard Line slim H 3 mm Ø 3.8 mm | | HC-3W | Standard Line wide H 3 mm Ø 5.5 mm |
| | NL-HC-3N# | Narrow Line slim H 3 mm Ø 3 mm | | HC-3WC° | Standard Line wide H 3 mm Ø 5.5 mm C°= 1 mm Vertical Platform Shift |
| | HC-3EW | Standard Line extra wide H 3 mm Ø 6.3 mm | | HC-5N | Standard Line slim H 5mm Ø 3.8mm |
| | NL-HC-5N# | Narrow Line slim H 5mm Ø 3.8mm | | HC-5EW | Standard Line extra wide H 5 mm Ø 6.3 mm |
| | HC-5W | Standard Line wide H 5mm Ø 5.5mm | | HC-5WC° | Standard Line Wide H 5mm Ø 5.5mm C°= 1mm Vertical Platform Shift |

H=Height Ø=Diameter
°C=Vertical Platform Shift Measures
#NL = Narrow Line for 3.0 & 3.3 mm Ø Implants



Prosthetics / Impressions Impression Copings

°C= Emergence Profile Measures
#NL = Narrow Line for 3.0 & 3.3 mm Ø Implants



ACT-15
Standard Line - 15° angled
Closed Tray Transfer
H 11 mm | Ø 4.8 mm,
Incl. TSA-8.3

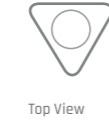
NL-ACT-15#
Narrow Line - 15° angled
Closed Tray Transfer
H 11 mm | Ø 4.8 mm
Incl. NL-TSA-8.3#



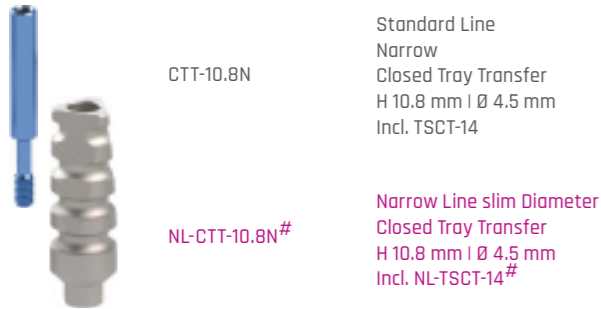
ACT-25
Standard Line
25° angled
Closed Tray Transfer
H 11 mm | Ø 4.8 mm
Incl. TSA-8.3



CTT-13.8N
Standard Line
slim
Closed Tray Transfer
H 13.8 mm | Ø 4.5 mm
Incl. TSCT-17



NL-CTT-13.8N#
Narrow Line slim
Closed Tray Transfer
H 13.8 mm | Ø 4.5 mm
Incl. NL-TSCT-17#



CTT-10.8N
Standard Line
Narrow
Closed Tray Transfer
H 10.8 mm | Ø 4.5 mm
Incl. TSCT-14

NL-CTT-10.8N#
Narrow Line slim Diameter
Closed Tray Transfer
H 10.8 mm | Ø 4.5 mm
Incl. NL-TSCT-14#



Top View



OTT-10.8N
Standard Line
slim
Open Tray Transfer
H 10.8 mm | Ø 4.5 mm
Incl. TSOT-24

NL-OTT-10.8N#
Narrow Line slim
Open Tray Transfer
H 10.8 mm | Ø 4.5 mm
C°= 1 mm Emergence Profile
Platform Shift
Incl. NL-TSOT-24#

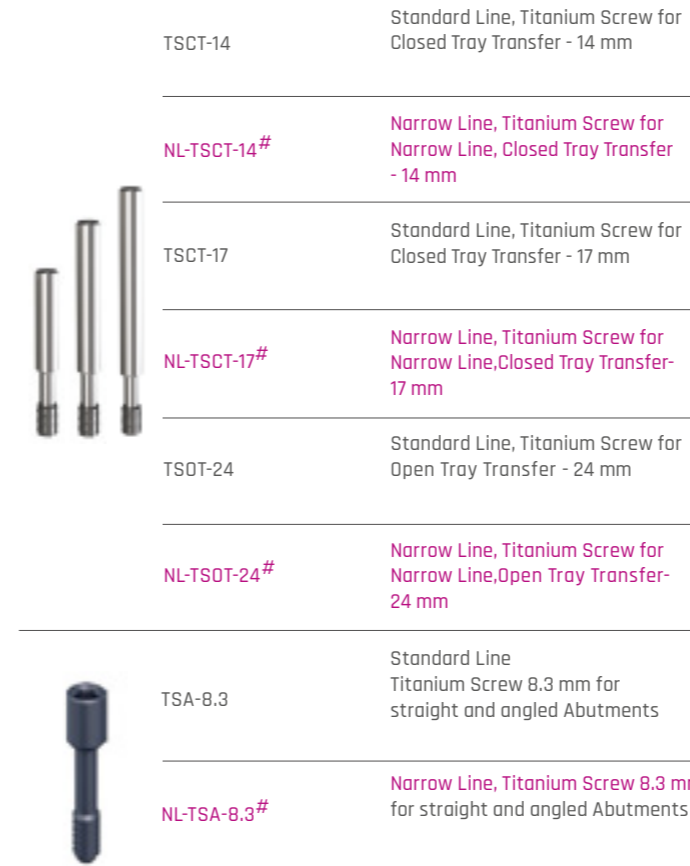


OTT-13.8N
Standard Line
Slim
Open Tray Transfer
H 13.8 mm | Ø 4.5 mm
Incl. TSOT-24

NL-OTT-13.8N#
Narrow Line slim
Open Tray Transfer
H 13.8 mm | Ø 4.5 mm
Incl. NL-TSOT-24#

OTT-13.8W°
Standard Line wide
Open Tray Transfer
H 13.8 mm | Ø 5.5 mm
Platform Shift
Incl. TSOT-24

Prosthetics / Impressions Analog



TSCT-14
Standard Line, Titanium Screw for
Closed Tray Transfer - 14 mm

NL-TSCT-14#
Narrow Line, Titanium Screw for
Narrow Line, Closed Tray Transfer
- 14 mm

TSCT-17
Standard Line, Titanium Screw for
Closed Tray Transfer - 17 mm

NL-TSCT-17#
Narrow Line, Titanium Screw for
Narrow Line, Closed Tray Transfer -
17 mm

TSOT-24
Standard Line, Titanium Screw for
Open Tray Transfer - 24 mm

NL-TSOT-24#
Narrow Line, Titanium Screw for
Narrow Line, Open Tray Transfer -
24 mm



TSA-8.3
Standard Line
Titanium Screw 8.3 mm for
straight and angled Abutments

NL-TSA-8.3#
Narrow Line, Titanium Screw 8.3 mm
for straight and angled Abutments



IA-3.75
Standard Line
Implant Analog
Standard Platform for
3.75 mm, 4.2 mm,
5.0 mm & 6.0 mm



NL-IA-3.0#
Narrow Line
Implant Analog Narrow Line
Platform for
3.0 mm and 3.3 mm



IA-PUT-S
Standard Line
Analog for PUT-S
Abutment



IA-PUT-M
Standard Line
Analog for PUT-M
Abutment



IA-PUT-L
Standard Line
Analog for PUT-L
Abutment

Scan Body / digital intraoral scanning



3DSPA-8C°
Scan Abutment
Standard Line
Plastic Abutment for 3D Scanner
4 mm Cone, 1.5 mm Shoulder
C°= 1.0 mm Vertical Platform Shift
Incl. TSA-8.3



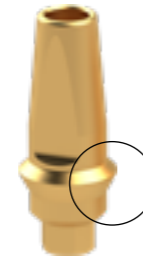
NL-3DSPA-8C°#
Scan Abutment, Narrow Line
Plastic Abutment for 3D Scanner
4 mm Cone, 1 mm Shoulder
C°= 1.5 mm Vertical Platform Shift
Incl. NL-TSA-8.3#

Our Scan Bodies are Multi Purpose :
use it as Scan body and as Provisional or
Temporary Abutment !

Standard PUT System

All PUT abutments including plastic Cap PUP-CA

| | |
|-------------|---|
| PUT-1S* | Standard Line 4 mm Cone, 1 mm Shoulder |
| NL-PUT-1S#* | Narrow Line 4 mm Cone, 1 mm Shoulder |
| PUT-2S* | Standard Line 4 mm Cone, 2 mm Shoulder |
| NL-PUT-2S#* | Narrow Line 4 mm Cone, 2 mm Shoulder |
| PUT-3S* | Standard Line 4 mm Cone, 3 mm Shoulder |
| PUT-1M* | Standard Line 6 mm Cone, 1 mm Shoulder |
| NL-PUT-1M#* | Narrow Line 6 mm Cone, 1 mm Shoulder |
| PUT-2M* | Standard Line 6 mm Cone, 2 mm Shoulder |
| NL-PUT-2M#* | Narrow Line 6 mm Cone, 2 mm Shoulder |
| PUT-1L* | Standard Line 8 mm Cone, 1 mm Shoulder |
| NL-PUT-1L#* | Narrow Line 8 mm Cone, 1 mm Shoulder |
| PUT-2L* | Standard Line 8 mm Cone, 2 mm Shoulder |
| NL-PUT-2L#* | Narrow Line 8 mm Cone, 2 mm Shoulder |
| PUT-3L* | Standard Line 8 mm Cone, 3 mm Shoulder |
| NL-PUT-3L#* | Narrow Line 8 mm Cone, 3 mm Shoulder |
| PUT-4L* | Standard Line 8 mm Cone, 4 mm Shoulder |
| NL-PUT-4L#* | Narrow Line 8 mm Cone, 4 mm Shoulder |
| PUT-15-1M* | Standard Line 15° angled, 8 mm Cone 1 mm Shoulder (a) |
| PUT-15-2M* | Standard Line 15° angled, 9 mm Cone 2 mm Shoulder (a) |
| PUT-25-1M* | Standard Line 25° angled, 8 mm Cone 1 mm Shoulder (a) |
| PUT-25-2M* | Standard Line 25° angled, 9 mm Cone 2 mm Shoulder (a) |



Vertical Platform Shifting PUT System

| | |
|---------------------------|---|
| PUT-1SC* [◊] | Standard Line 4 mm Cone, 0.5 mm Shoulder, C°=0.5 mm Vertical Platform Shift |
| PUT-2SC* [◊] | Standard Line 4 mm Cone, 1 mm Shoulder, C°=1 mm Vertical Platform Shift |
| NL-PUT-2SC#* [◊] | Narrow Line 4 mm Cone, 1 mm Shoulder, C°=1 mm Vertical Platform Shift |
| PUT-3SC* [◊] | Standard Line 4 mm Cone, 1 mm Shoulder, C°=2 mm Vertical Platform Shift |
| NL-PUT-3SC#* [◊] | Narrow Line 4 mm Cone, 1 mm Shoulder, C°=2 mm Vertical Platform Shift |
| PUT-1MC* [◊] | Standard Line 6 mm Cone, 0.5 mm Shoulder, C°=0.5 mm Vertical Platform Shift |
| NL-PUT-1MC#* [◊] | Narrow Line 6 mm Cone, 0.5 mm Shoulder, C°=0.5 mm Vertical Platform Shift |
| PUT-2MC* [◊] | Standard Line 6 mm Cone, 1 mm Shoulder, C°=1 mm Vertical Platform Shift |
| NL-PUT-2MC#* [◊] | Narrow Line 6 mm Cone, 1 mm Shoulder, C°=1 mm Vertical Platform Shift |
| PUT-3MC* [◊] | Standard Line 6 mm Cone, 1 mm Shoulder, C°=2 mm Vertical Platform Shift |
| NL-PUT-3MC#* [◊] | Narrow Line 6 mm Cone, 1 mm Shoulder, C°=2 mm Vertical Platform Shift |
| PUT-1LC* [◊] | Standard Line 8 mm Cone, 0.5 mm Shoulder, C°=0.5 mm Vertical Platform Shift |
| NL-PUT-1LC#* [◊] | Narrow Line 8 mm Cone, 0.5 mm Shoulder, C°=0.5 mm Vertical Platform Shift |
| PUT-2LC* [◊] | Standard Line 8 mm Cone, 1 mm Shoulder, C°=1 mm Vertical Platform Shift |
| NL-PUT-2LC#* [◊] | Narrow Line 8 mm Cone, 1 mm Shoulder, C°=1 mm Vertical Platform Shift |
| PUT-3LC* [◊] | Standard Line 8 mm Cone, 1 mm Shoulder, C°=2 mm Vertical Platform Shift |
| NL-PUT-3LC#* [◊] | Narrow Line 8 mm Cone, 1 mm Shoulder, C°=2 mm Vertical Platform Shift |

*Incl. TSA-8.3 / NL-TSA-8.3# - Titanium Screw

[◊]C= Vertical Platform Shift Measures
#NL = Narrow Line for 3.0 & 3.3 mm ø Implants

The Pop Up Impressions - step by step:

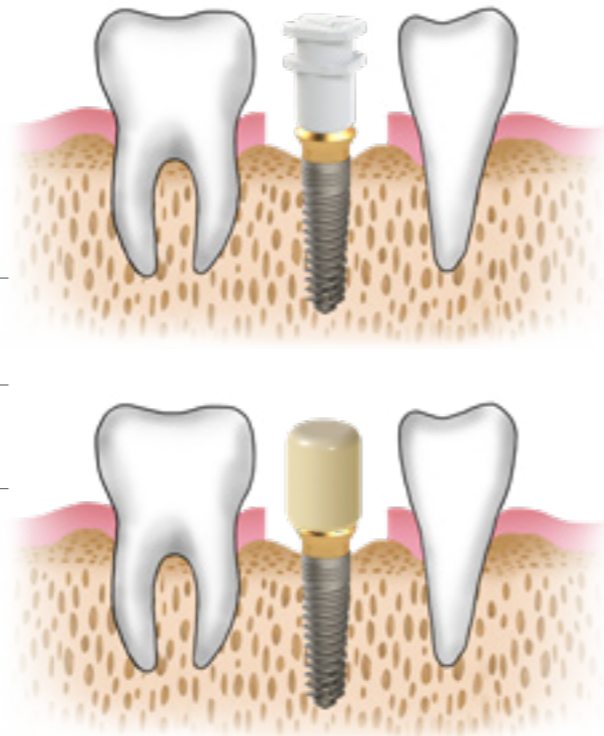
All-In-One and Multi Purpose Healing Cap, Impression Cap, Temporary and Final Abutment

- Place PUT Abutment with flat side facing the buccal side and hand tighten with 1.29 hex tool.
- Torque to 35 Nt/Cm, wait 5 minutes and re-tighten to 35 Nt/Cm.
- Place PUP-CA on PUT Abutment, aligning flat interior of PUP-CA with the flat of the PUT Abutment (which should be facing the buccal). Press downward until you feel the parts snap into place.
- Place impression tray over components until hardened and remove tray.
- The PUP-CA will remain in the tray.
- Send tray along with the appropriate abutment analog to lab for your final crown.
- Place the TC-PUT on PUT Abutment until final restoration is delivered. (Alternatively, a temporary crown may be placed directly on the PUT Abutment.)
- Original PUT Abutment is ready for final restoration.

Prosthetics / Impressions

All-In-One / Pop Up Transfer Abutment

| | | |
|--|----------|--|
| | PUP-CA | *4PUT / PUT-S, M & L Abutment |
| | WS-PUT | Wax Sleeve for all PUT Abutments (red) Anti-Rotational |
| | WS-PUT-R | Wax Sleeve for all PUT Abutments (white) Rotational |
| | TC-PUT-S | Temporary Cap (4 mm) for PUT-S |
| | TC-PUT-M | Temporary Cap (6 mm) for PUT-M |
| | TC-PUT-L | Temporary Cap (8 mm) for PUT-L |



Prosthetics Abutments for Casting/Lab

+++ for lab use only +++

| | | |
|--|-------------|---|
| | AZA* | Standard Line Titanium Abutment with Plastic Casting Sleeve Titanium base for accurate restorations. For custom cast prosthetics. |
| | NL-AZA*# | Narrow Line Titanium Abutment with Plastic Casting Sleeve Titanium base for accurate restorations. For custom cast prosthetics. |
| | AZA-CC* | Standard Line Chromium Cobalt Abutment with Plastic Casting Sleeve Chrome Cobalt base for accurate restorations. For custom cast prosthetics. |
| | NL-AZA-CC*# | Narrow Line Chromium Cobalt Abutment with Plastic Casting Sleeve Chromium Cobalt base for accurate restorations. For custom cast prosthetics. |
| | PAC* | Standard Line Burn-It Plastic Sleeve Abutment for Laboratory Casting, rotating |
| | PAC-H* | Standard Line Burn-It Plastic Sleeve Abutment for Laboratory Casting, Anti-Rotational |
| | NL-PAC-H* | Narrow Line Plastic Abutment Laboratory, Anti-Rotational |



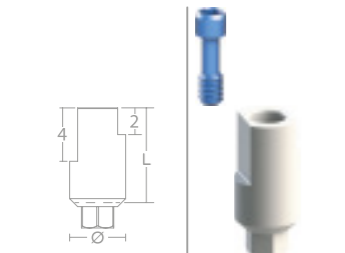
| | | |
|--|-----------|---|
| | AZA-L* | Standard Line Long Titanium Abutment with Plastic Casting Sleeve |
| | AZA-CC-L* | Standard Line Long Chromium Cobalt Abutment with Plastic Casting Sleeve |

*Incl. TSA-8.3 / NL-TSA-8.3# - Titanium Screw
 °C= Vertical Platform Shifting Measures
 #NL = Narrow Line for 3.0 & 3.3 mm ø Implants

Prosthetics Milling Blanks

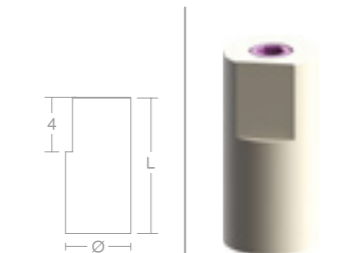
| | | |
|--|--------------|---|
| | ML-10-23* | Standard Line Millable Blanks for Casting with 2.43 HEX |
| | NL-ML-10-24* | Narrow Line Millable Blanks for Casting with 2.0 HEX |

Implant Level
Scan Abutment



| | |
|----------|----------|
| L | 7 mm |
| ∅ | 4.2 mm |
| Art. No. | SB-SV-RP |

Multi-Click™
Abutment Level Scan Body

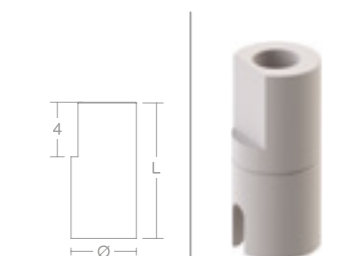


| | |
|----------|-------------|
| L | 10 mm |
| ∅ | 4.8 mm |
| Art. No. | MUL-KS-SBUG |



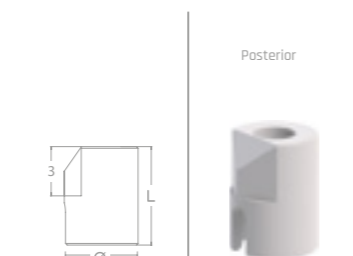
Medical Peek - Classix

Clicq-Scan™
Abutment Level Scan Body



| | |
|----------|-----------|
| L | 10 mm |
| ∅ | 4.5 mm |
| Art. No. | SBC-TBK-A |

Clicq-Scan™Top
Abutment Level Scan Body




| | |
|----------|--------|
| L | 6 mm |
| ∅ | 4.5 mm |
| Art. No. | SBC-U |

Anti-Rotational



Uni-Base™ - Straight Ti-Base




| | | | |
|----------|-----------|-------------|-------------|
| H | 0.5 mm | 1.5 mm | 3 mm |
| C | 4.7 mm | 4.7 mm | 4.7 mm |
| ∅ | 4.3 mm | 4.3 mm | 4.3 mm |
| Art. No. | TBC-SV-RP | TBC-SV-RP15 | TBC-SV-RP30 |

Rotational



Uni-Base™ - Straight Ti-Base



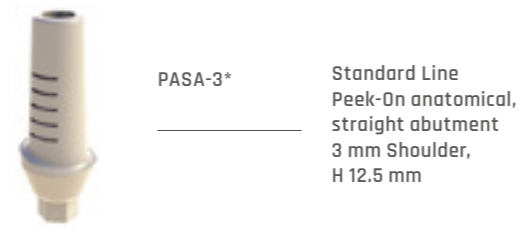
| | | | |
|----------|------------|--------------|--------------|
| H | 0.5 mm | 1.5 mm | 3 mm |
| C | 4.7 mm | 4.7 mm | 4.7 mm |
| ∅ | 4.3 mm | 4.3 mm | 4.3 mm |
| Art. No. | TBC-SV-RPR | TBC-SV-RP15R | TBC-SV-RP30R |

PEEK Abutments and Temporary Restoration Abutments



PASA-1* Standard Line Peek-On anatomical, straight abutment 1 mm Shoulder, H 10.5 mm

PASA-2* Standard Line Peek-On anatomical, straight abutment 2 mm Shoulder, H 11.5 mm



PASA-3* Standard Line Peek-On anatomical, straight abutment 3 mm Shoulder, H 12.5 mm

*All Peek abutments are supplied with TSA-8.3 Implant Level Screw

Straight white PEEK Abutment *

| | | | | |
|----------|------------|------------|------------|------------|
| H | 1 mm | 2 mm | 3 mm | 4 mm |
| Ø | 4.8 mm | 4.8 mm | 4.8 mm | 4.8 mm |
| Art. No. | PA-SV-RP10 | PA-SV-RP20 | PA-SV-RP30 | PA-SV-RP40 |

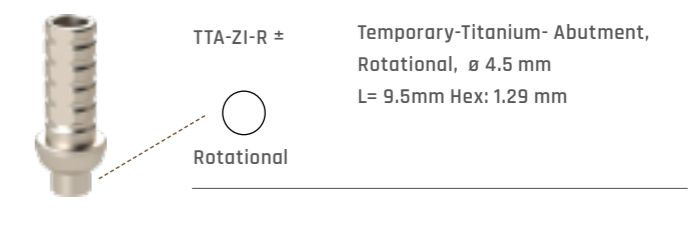
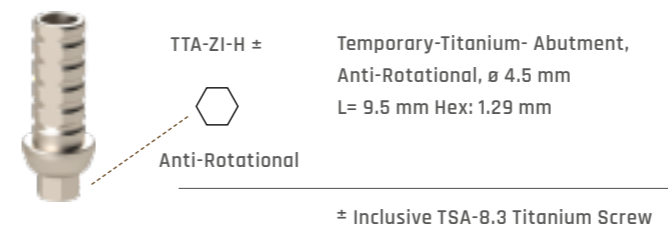
Angled white PEEK Abutment 15° and 25° *

| | | | | | | | |
|----------|---------------|---------------|---------------|----------|---------------|---------------|---------------|
| L | 9 mm | 10 mm | 11 mm | L | 9 mm | 10 mm | 11 mm |
| | H | 1 mm | 2 mm | | 3 mm | H | 1 mm |
| Ø | 5 mm | 5 mm | 5 mm | Ø | 5 mm | 5 mm | 5 mm |
| Art. No. | PAA-SV-RP1510 | PAA-SV-RP1520 | PAA-SV-RP1530 | Art. No. | PAA-SV-RP2510 | PAA-SV-RP2520 | PAA-SV-RP2530 |

15°

25°

Titanium Temporary Abutments

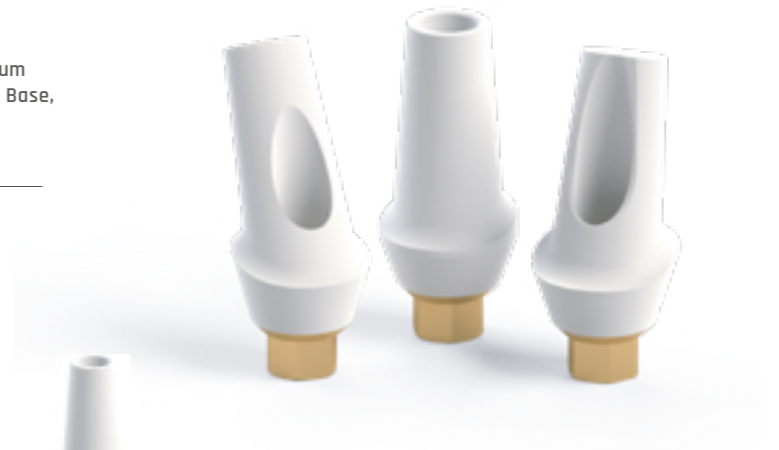
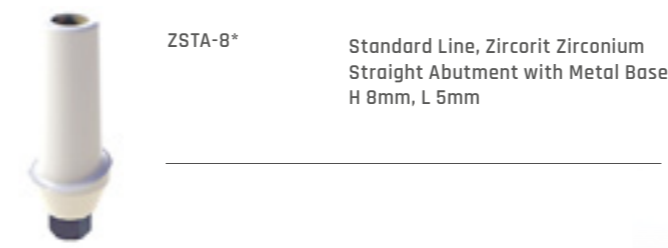


* Inclusive TSA-8.3 Titanium Screw

ALSO AVAILABLE AS NARROW-LINE NL-TTA-ZI-H *

ALSO AVAILABLE AS NARROW-LINE NL-TTA-ZI-R *

Zirconium Abutments Temporary and final Abutments



| | | | |
|----------|-------------|-------------|-------------|
| L | 10 mm | 11 mm | 12 mm |
| H | 1 mm | 2 mm | 3 mm |
| Ø | 5.5 mm | 5.5 mm | 5.5 mm |
| Art. No. | ZAA-SV-RP10 | ZAA-SV-RP20 | ZAA-SV-RP30 |

*All Zirconium abutments are supplied with TSA-8.3 Implant Level Screw

15°

| | | | |
|----------|---------------|---------------|---------------|
| L | 9.5 mm | 10.5 mm | 11.5 mm |
| H | 1 mm | 2 mm | 3 mm |
| Ø | 5.5 mm | 5.5 mm | 5.5 mm |
| Art. No. | ZAA-SV-RP1510 | ZAA-SV-RP1520 | ZAA-SV-RP1530 |

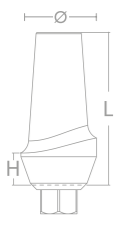
25°

| | | | |
|----------|---------------|---------------|---------------|
| L | 8.5 mm | 9.5 mm | 10.5 mm |
| H | 1 mm | 2 mm | 3 mm |
| Ø | 5.5 mm | 5.5 mm | 5.5 mm |
| Art. No. | ZAA-SV-RP2510 | ZAA-SV-RP2520 | ZAA-SV-RP2530 |

Prosthetics Titanium

Preparable Abutments, straight

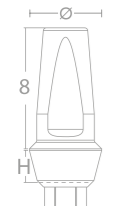
SATA-X, SAGA-X Standard Line, straight Anatomic Emergency Profile Titanium Abutment



| | 1 mm | 2 mm | 3 mm | 4 mm |
|--------------|-------------|-------------|-------------|-------------|
| H | 1 mm | 2 mm | 3 mm | 4 mm |
| L | 9.4 mm | 10.4 mm | 11.4 mm | 12.4 mm |
| Ø | 5 mm | 5 mm | 5 mm | 5 mm |
| Art. No. | SATA-1 | SATA-2 | SATA-3 | SATA-4 |
| Gold Color** | SAGA-1* | SAGA-2* | SAGA-3* | SAGA-4* |
| | TAA-SV-RP10 | TAA-SV-RP20 | TAA-SV-RP30 | TAA-SV-RP40 |

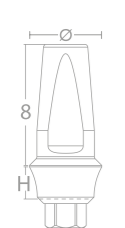


SSTA-XX Standard Line - Straight Titanium Abutment
Traditional Emergency Profile



| | 1 mm | 2 mm | 3 mm | 4 mm |
|----------------|------------|------------|------------|---|
| H | 1 mm | 2 mm | 3 mm | 4 mm |
| Ø | 4.8 mm | 4.8 mm | 4.8 mm | 4.8 mm |
| Art. No. | SSTA-1 | SSTA-2 | SSTA-3 | SSTA-4 |
| | TA-SV-RP10 | TA-SV-RP20 | TA-SV-RP30 | TA-SV-RP40 |
| Narrow Line NL | NL-SSTA-1 | NL-SSTA-2 | NL-SSTA-3 | Narrow Line - Straight Titanium Abutment - Xmm Shoulder |

ESPS-XX Standard Line - Straight Titanium Abutment,
Emergency Profile

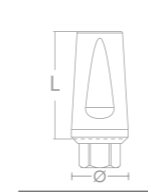


| | 1 mm | 2 mm | 3 mm | 4 mm |
|----------|-------------|-------------|-------------|-------------|
| H | 1 mm | 2 mm | 3 mm | 4 mm |
| Ø | 4.8 mm | 4.8 mm | 4.8 mm | 4.8 mm |
| Art. No. | ESPS-1 | ESPS-2 | ESPS-3 | ESPS-4 |
| | TAC-SV-RP10 | TAC-SV-RP20 | TAC-SV-RP30 | TAC-SV-RP40 |

*All Abutments are supplied with TSA-8.3 Implant Level Screw OR for NL Line with NL-TSA-8.3


Prosthetics Titanium

Preparable Abutments, straight



| | 7 mm | 9 mm |
|----------|------------|------------|
| L | 7 mm | 9 mm |
| Ø | 3.8 mm | 3.8 mm |
| Art. No. | SSA-SV-RP7 | SSA-SV-RP9 |

± Incl. TSA-8.3 Titanium Screw
*Incl. TSA-8.3 / NL-TSA-8.3# - Titanium Screw

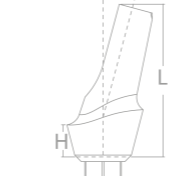


| | 3.8 mm | 3.8 mm |
|----------|---|--|
| Ø | 3.8 mm | 3.8 mm |
| Art. No. | SLTA-5 SLTA-6 SLTA-7 SLTA-8 SLTA-9 SLTA-10 | Slim Titanium Abutment - 5 mm Smooth Slim Titanium Abutment - 6 mm Slim Titanium Abutment - 7 mm Smooth Slim Titanium Abutment - 8 mm Slim Titanium Abutment - 9 mm Smooth Slim Titanium Abutment - 10 mm |

Prosthetics Titanium

Preparable Abutments, angled

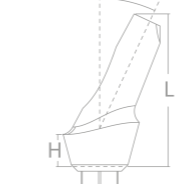
EATA-XX Standard Line - 15° Angled Titanium Abutment
Anatomic Emergency Profile



| | 1 mm | 2 mm | 3 mm | 4 mm |
|----------|---------------|---------------|--------------|---------------|
| H | 1 mm | 2 mm | 3 mm | 4 mm |
| L | 9.4 mm | 10.4 mm | 11.4 mm | 12.4 mm |
| Ø | 5 mm | 5 mm | 5 mm | 5 mm |
| Art. No. | EATA-15-1 | EATA-15-2 | EATA-15-3 | EATA-15-4 |
| | TAA-SV-RP1510 | TAA-SV-RP1520 | AA-SV-RP1530 | TAA-SV-RP1540 |

15°

EATA-XX Standard Line - 25° Angled Titanium Abutment
Anatomic Emergency Profile




| | 1 mm | 2 mm | 3 mm | 4 mm |
|----------|---------------|---------------|--------------|---------------|
| H | 1 mm | 2 mm | 3 mm | 4 mm |
| L | 9.4 mm | 10.4 mm | 11.4 mm | 12.4 mm |
| Ø | 5 mm | 5 mm | 5 mm | 5 mm |
| Art. No. | EATA-25-1 | EATA-25-2 | EATA-25-3 | EATA-25-4 |
| | TAA-SV-RP2510 | TAA-SV-RP2520 | AA-SV-RP2530 | TAA-SV-RP2540 |

25°


Prosthetics Titanium Standard Platform
Preparable Abutments, straight and angled

STA-XX



| | | | |
|----------|--------------------|----------------------|----------------------|
| L | 9 mm | 12 mm | 15 mm |
| ∅ | 4.5 mm | 4.5 mm | 4.5 mm |
| Art. No. | STA-9 SA-SV-RP9 | STA-12 SA-SV-RP12 | STA-15 SA-SV-RP15 |


STA-XXW*



| | | |
|----------|----------------------|------------------------|
| L | 9 mm | 12 mm |
| ∅ | 5.5 mm | 5.5 mm |
| Art. No. | STA-9W SA-SV-RP9W | STA-12W SA-SV-RP12W |

Also available as STA-5 - L=5 mm and STA-7- L=7 mm

15°



| | | | |
|---|---------------|--------------|---------------|
| L | 9 mm | 9 mm | 11.5 mm |
| ∅ | 3.8 mm | 4.8 mm | 4.8 mm |
| | TA-SV-RP1500N | TA-SV-RP1500 | TA-SV-RP1500L |

Narrow Line NL
NL-STA-10
Narrow Line
Straight Titanium Abutment
10 mm

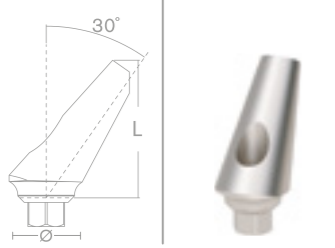


Narrow Line NL
NL-ATA-15
Narrow Line
Titanium Abutment
15° Angled




15°

30°



| | |
|---|--------------|
| L | 9 mm |
| ∅ | 5 mm |
| | TA-SV-RP3500 |

25°



| | | |
|---|--------------|---------------|
| L | 9 mm | 11.5 mm |
| ∅ | 4.9 mm | 5 mm |
| | TA-SV-RP2500 | TA-SV-RP2500L |

Prosthetics
Removable Overdenture Abutments



LOCATOR® Attachment System

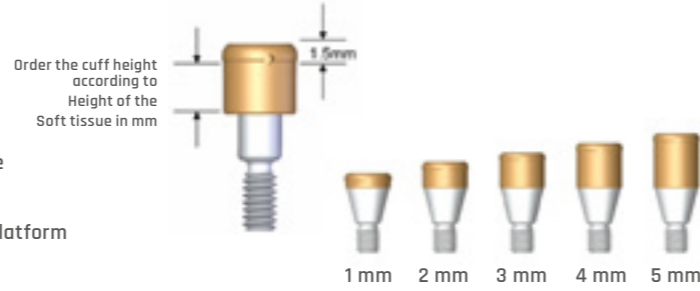
Removable Multi Unit Abutments



Measurement for the height of the tissue sleeve:

The Height of the LOCATOR® Tissue Cuff ranges from 0-6 mm (platform to the bottom of the 1.5 mm coronal section).

The upper section, 1.5 mm of each locator is the same. The transition to the platform (EN) and the connection is different.



| Art. No. | LOCATOR® ABUTMENTS for Ritter Implants |
|-----------------------------|--|
| 02284-RT-SB | LOCATOR Abutment 1.0 mm Cuff for Ritter Implants Standard Platform |
| 02285-RT-SB | LOCATOR Abutment 2.0 mm Cuff for Ritter Implants Standard Platform |
| 02286-RT-SB | LOCATOR Abutment 3.0 mm Cuff for Ritter Implants Standard Platform |
| 02287-RT-SB | LOCATOR Abutment 4.0 mm Cuff for Ritter Implants Standard Platform |
| 02288-RT-SB | LOCATOR Abutment 5.0 mm Cuff for Ritter Implants Standard Platform |
| NL-02308-RT-SB [#] | LOCATOR Abutment for intern. Hex Ø: 3 mm, Cuff: 0.75 mm, final packing |
| NL-02309-RT-SB [#] | LOCATOR Abutment for intern. Hex Ø: 3 mm, Cuff: 2 mm, final packing |

[#]NL = Narrow Line for 3.0 & 3.3mm Ø Implants

| Art. No. | ZEST® LOCATOR®-Attachments and Accessories |
|---------------|---|
| 08393-RT-SB | LOCATOR Core Tool |
| 08390-RT-SB | LOCATOR Abutment Driver, gold |
| 08519-2-RT-SB | LOCATOR Plug Processing Set, 4 Pieces |
| 08505-RT-SB | LOCATOR Impression Coping, 4 Pieces |
| 08510-RT-SB | LOCATOR Replacement Denture Cap, Metal, 4 Pieces |
| 08530-RT-SB | LOCATOR Analogs 4 mm Ø, 4 Pieces |
| 08524-RT-SB | LOCATOR Denture Cap, clear, 4 Pieces |
| 08527-RT-SB | LOCATOR Denture Cap, light adhesion, pink, 4 Pieces |
| 08529-RT-SB | LOCATOR Denture Cap, extra light adhesion, blue, 4 Pieces |
| 08547-RT-SB | LOCATOR Denture Cap, green, 4 Pieces |
| 08915-RT-SB | LOCATOR Denture Cap, orange, 4 Pieces |
| 08548-RT-SB | LOCATOR Denture Cap, extra light adhesion, red, 4 Pieces |
| 08558-RT-SB | LOCATOR Denture Cap, no adhesion, gray, 4 Pieces |
| 08517-RT-SB | LOCATOR Parallel Post, 4 Pieces |
| 08515-RT-SB | LOCATOR Black Plug Processing Set, 4 Pieces |
| 09530-RT-SB | LOCATOR Angle measurement guide |
| 08260-RT-SB | LOCATOR 35 Ncm Torque Screwdriver, 15 mm |

Interocclusal distance:
Less than 3.2 mm for external hex and 2.5 mm for implants with internal connection (with 0mm cuff height).



ZEST | DANVILLE MATERIALS | PERIOSCOPY

LOCATOR® R-Tx & F-Tx



| Item No. | LOCATOR R-TX ATTACHMENT SYSTEM |
|-------------|---|
| 30200-00-SB | LOCATOR R-Tx Attachment System, 3.5mm Internal Hex Connection, 0.5mm Cuff |
| 30200-01-SB | LOCATOR R-Tx Attachment System, 3.5mm Internal Hex Connection, 1mm Cuff |
| 30200-02-SB | LOCATOR R-Tx Attachment System, 3.5mm Internal Hex Connection, 2mm Cuff |
| 30200-03-SB | LOCATOR R-Tx Attachment System, 3.5mm Internal Hex Connection, 3mm Cuff |
| 30200-04-SB | LOCATOR R-Tx Attachment System, 3.5mm Internal Hex Connection, 4mm Cuff |
| 30200-05-SB | LOCATOR R-Tx Attachment System, 3.5mm Internal Hex Connection, 5mm Cuff |
| Item No. | LOCATOR F-TX ATTACHMENT SYSTEM |
| 10200-01-S | LOCATOR F-TX Attachment System, 3.5mm Internal Hex Connection, 1.5mm Cuff |
| 10200-02-S | LOCATOR F-TX Attachment System, 3.5mm Internal Hex Connection, 2mm Cuff |
| 10200-03-S | LOCATOR F-TX Attachment System, 3.5mm Internal Hex Connection, 3mm Cuff |
| 10200-04-S | LOCATOR F-TX Attachment System, 3.5mm Internal Hex Connection, 4mm Cuff |
| 10200-05-S | LOCATOR F-TX Attachment System, 3.5mm Internal Hex Connection, 5mm Cuff |

| Item No. | LOCATOR R-TX ATTACHMENTS & ACCESSORIES |
|----------|---|
| 30002-01 | LOCATOR R -Tx Low Retention Insert, Blue, Includes 4 |
| 30003-01 | LOCATOR R -Tx Medium Retention Insert, Pink, Includes 4 |
| 30004-01 | LOCATOR R -Tx High Retention Insert, Clear, Includes 4 |
| 30021-01 | LOCATOR R -Tx Retention Insert Tool |
| 30053-01 | LOCATOR R -Tx, 4X Macro Model |
| Item No. | LOCATOR F-TX ATTACHMENTS & ACCESSORIES |
| 10035-01 | LOCATOR F-TX Attachment System, High Retention Ball |
| 10010-01 | LOCATOR F-TX Seating and Removal Tool |
| 10153-01 | LOCATOR F-TX 4X Macro Model |
| 10028-01 | LOCATOR F-TX Abutment Driver Manual |
| 10042-01 | LOCATOR F-TX Retention Ball Driver |

Standard Line

08529 Extra Light Blue 1.5 lbs
08527 Light Pink 3.0 lbs
08524 Regular Clear 5 lbs

Extended Line

08558 Zero Gray 0 lbs
08548 Extra Light Red 1 lbs
08915 Light Orange 2 lbs
08547 Regular Green 4 lbs

Bar:

08026 Yellow at Bar constructions

0-10° Angle
> 10° Angle to 20° per Implant



Denture insert 08510-RT-SB



Clicq Plus - STRAIGHT

Removable Overdenture Abutments

All Attachments come with Connection Screw

COD-XP

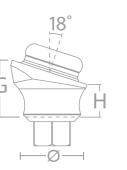
Straight



| | | | | | | | |
|----------------|-------------|-----------|-----------|-----------|-----------|-----------|-----------|
| H | 0.5 mm | 1 mm | 2 mm | 3 mm | 4 mm | 5 mm | 6 mm |
| Ø | 4.1 mm | 4.1 mm | 4.1 mm | 4.1 mm | 4.1 mm | 4.1 mm | 4.1 mm |
| Art. No. | COD-0.5P | COD-1P | COD-2P | COD-3P | COD-4P | COD-5P | COD-6P |
| Narrow Line NL | NL-COD-0.5P | NL-COD-1P | NL-COD-2P | NL-COD-3P | NL-COD-4P | NL-COD-5P | NL-COD-6P |

Angled 18°

18°



| | | | | |
|----------------|----------------|--------------|--------------|--------------|
| G | 2.1 mm | 2.6 mm | 3.6 mm | 4.6 mm |
| H | 0.5 mm | 1 mm | 2 mm | 3 mm |
| Ø | 5.2 mm | 5.2 mm | 5.2 mm | 5.2 mm |
| Art. No. | COD-18-0.5P | COD-18-1P | COD-18-2P | COD-18-3P |
| Narrow Line NL | NL-COD-18-0.5P | NL-COD-18-1P | NL-COD-18-2P | NL-COD-18-3P |

Angled 30°

30°



| | | | | |
|----------------|----------------|--------------|--------------|--------------|
| G | 3.1 mm | 3.6 mm | 4.6 mm | 5.6 mm |
| H | 0.5 mm | 1 mm | 2 mm | 3 mm |
| Ø | 5.2 mm | 5.2 mm | 5.2 mm | 5.2 mm |
| Art. No. | COD-30-0.5P | COD-30-1P | COD-30-2P | COD-30-3P |
| Narrow Line NL | NL-COD-30-0.5P | NL-COD-30-1P | NL-COD-30-2P | NL-COD-30-3P |



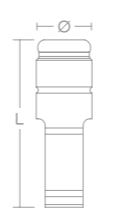
MINI-Kit Content

| | |
|-----------------------------|---------|
| Straight/18°/30° Attachment | - 1 pcs |
| COD-MH | 1 pcs |
| COD-RCB | - 1 pcs |
| COD-RCY | - 1 pcs |
| COD-RCP | - 1 pcs |
| COD-RCT | - 1 pcs |
| COD-PD | 1 pcs |

Clicq Plus Overdenture Attachments

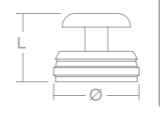
Analog and Accessories

Abutment Analog



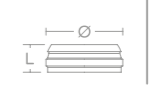
| | |
|----------|---------|
| L | 12.3 mm |
| Ø | 4.1 mm |
| Art. No. | LOCW-AN |

Pick-Up Impression Transfer



| | |
|----------|---------|
| L | 4.5 mm |
| Ø | 5.65 mm |
| Art. No. | LOCW-PU |

Metal Housing (2 pcs/pack)

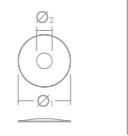


| | |
|----------|---------|
| L | 2 mm |
| Ø | 5.65 mm |
| Art. No. | LOCW-MH |

Retentive Cap (4 pcs/pack)

| | | | | | |
|----------|-------------------------------------|----------------------------|-----------------------|----------------------------------|---------------------------|
| | Lab use only Black laboratory | Ex-Soft Yellow 0.6kg | Soft Pink 1.2kg | Standard Transparent 1.8kg | Strong Violet 2.7kg |
| | | | | | |
| L | 1.75 mm | 1.75 mm | 1.75 mm | 1.75 mm | 1.75 mm |
| Ø | 5 mm | 5 mm | 5 mm | 5 mm | 5 mm |
| Art. No. | LOCW-RCB | LOCW-RCY | LOCW-RCP | LOCW-RCT | LOCW-RCV |

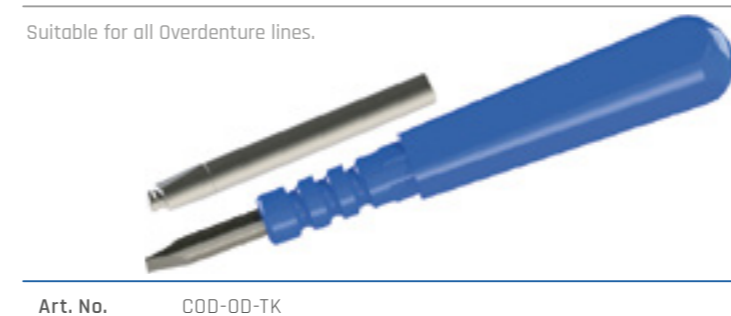
Protective Disc (4 pcs/pack)



| | |
|----------|---------|
| Ø1 | 13.5 mm |
| Ø2 | 2.7 mm |
| Art. No. | LOCW-PD |

Insertion & Extraction Tool for Overdenture Attachments

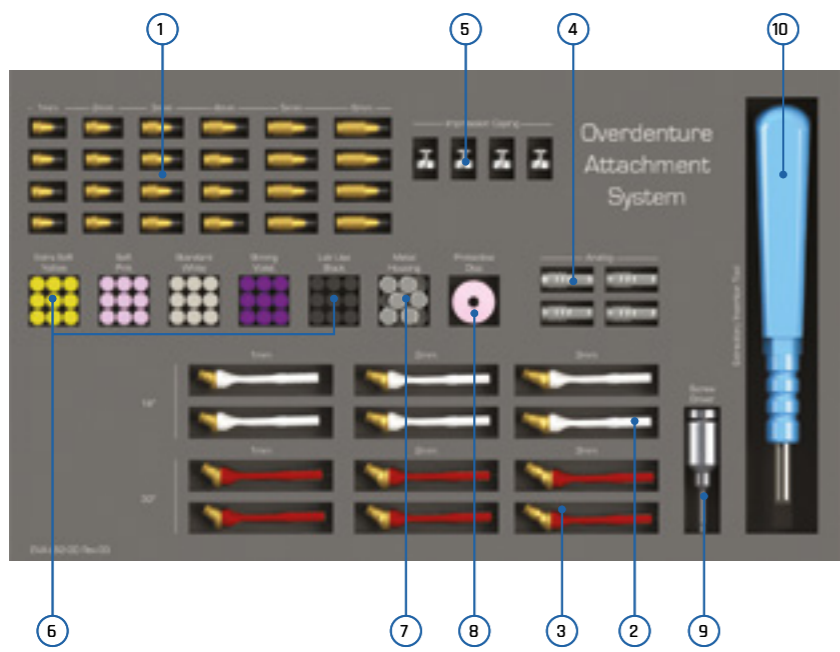
Suitable for all Overdenture lines.



Art. No. COD-OD-TK



Clicq PLUS Overdenture Attachments Professional Kit, straight and angled



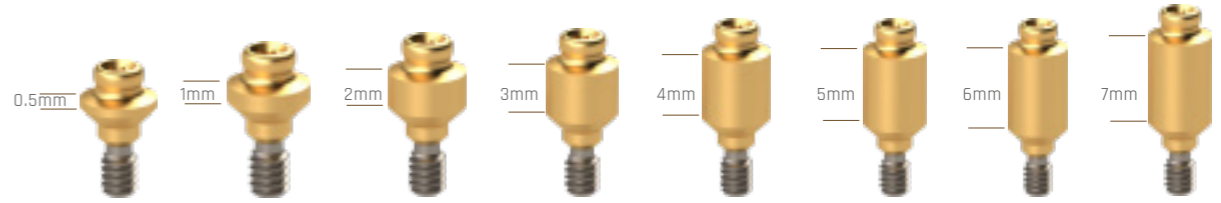
1. Straight Titanium Clicq PLUS - 0.5-5 mm
2. Angled Titanium Clicq PLUS 18°- 1-4 mm
3. Angled Titanium Clicq PLUS 30°- 1-4 mm
4. Abutment Analogs
5. Pick Up Impression Transfer
6. Retentive Caps
7. Metal Housing
8. Protective Disc
9. Screw Driver
10. Insertion & Extraction Tool

SPECIAL ORDER ONLY - 90 DAYS DELIVERY TIME

| Professional Kit | | Art. No. | Quantity |
|------------------|--|------------|----------|
| CODP-RPPK | | COD-05P | 4 pcs |
| | | COD-1P | 4 pcs |
| | | COD-2P | 4 pcs |
| | | COD-3P | 4 pcs |
| | | COD-4P | 4 pcs |
| | | COD-5P | 4 pcs |
| | | COD-18-1P | 2 pcs |
| | | COD-18-2P | 2 pcs |
| | | COD-18-3P | 2 pcs |
| | | COD-18-4P | 2 pcs |
| | | COD-30-1P | 2 pcs |
| | | COD-30-2P | 2 pcs |
| | | COD-30-3P | 2 pcs |
| | | COD-30-4P | 2 pcs |
| | | COD-ANP | 4 pcs |
| | | COD-PUP | 4 pcs |
| | | COD-PTP | 4 pcs |
| | | SCL-YP | 8 pcs |
| | | SCL-PP | 8 pcs |
| | | SCL-TP | 8 pcs |
| | | SCL-VP | 8 pcs |
| | | SCI-BP | 8 pcs |
| | | COD-MCP | 10 pcs |
| | | COD-PDP | 10 pcs |
| | | COD-HNDP | 1 pcs |
| | | COD-OD-TKP | 1 pcs |



Prosthetics / Removable Overdenture Abutments



| Art. No. | COD-0.5 | COD-1 | COD-2 | COD-3 | COD-4 | COD-5 | COD-6 | COD-7 |
|----------|-------------|-----------|-----------|-----------|-----------|-----------|-----------|-------|
| | NL-COD-0.5# | NL-COD-1# | NL-COD-2# | NL-COD-3# | NL-COD-4# | NL-COD-5# | NL-COD-6# | |

Description: Clicq™ Set: gold color coated, incl. 4 - SCL (per 1 piece.), 1 - BA-SP, 1 - MC-COD 0.5, 1, 2, 3, 4, 5, 6, or 7mm

Angled Q-Clicq 18° - K=Kit

| | 2.5 mm | 3.5 mm | 4.5 mm | 5.5 mm |
|---------|-------------|-------------|-------------|-------------|
| G | 2.5 mm | 3.5 mm | 4.5 mm | 5.5 mm |
| H | 1 mm | 2 mm | 3 mm | 4 mm |
| Ø1 / Ø2 | 3.85/5.2 mm | 3.85/5.2 mm | 3.85/5.2 mm | 3.85/5.2 mm |

| Art. No. | COD-18-1 | COD-18-2 | COD-18-3 | COD-18-4 |
|----------------|-------------|-------------|-------------|-------------|
| Narrow Line NL | NL-COD-18-1 | NL-COD-18-2 | NL-COD-18-3 | NL-COD-18-4 |

18°

NOTICE: The angled locators are available as a Kit with all components, eg. retention caps or holder OR as single part.

Angled Q-Clicq 30° - K=Kit

| | 3.5 mm | 4.5 mm | 5.5 mm | 6.5 mm |
|---------|-------------|-------------|-------------|-------------|
| G | 3.5 mm | 4.5 mm | 5.5 mm | 6.5 mm |
| H | 1 mm | 2 mm | 3 mm | 4 mm |
| Ø1 / Ø2 | 3.85/5.2 mm | 3.85/5.2 mm | 3.85/5.2 mm | 3.85/5.2 mm |

| Art. No. | COD-30-1 | COD-30-2 | COD-30-3 | COD-30-4 |
|----------------|-------------|-------------|-------------|-------------|
| Narrow Line NL | NL-COD-30-1 | NL-COD-30-2 | NL-COD-30-3 | NL-COD-30-4 |

30°

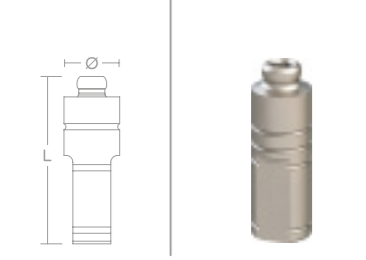


MINI-Kit Content

| | |
|-----------------------------|---------|
| Straight/18°/30° Attachment | - 1 pcs |
| COD-MH | - 1 pcs |
| COD-RCB | - 1 pcs |
| COD-RCY | - 1 pcs |
| COD-RCP | - 1 pcs |
| COD-RCT | - 1 pcs |
| COD-PD | - 1 pcs |

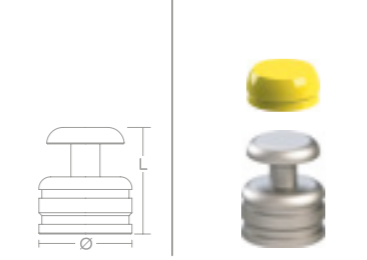
Q-Clicq Overdenture Attachments Analog and Accessories

Q-Clicq™ Abutment Analog



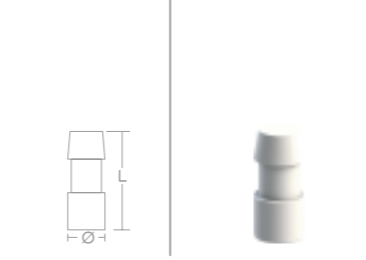
| | |
|----------|---------|
| L | 12.3 mm |
| ∅ | 4 mm |
| Art. No. | COD-AN |

Pick-Up Impression Transfer



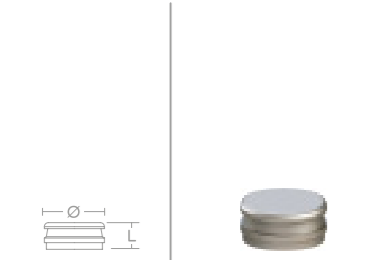
| | |
|----------|---------|
| L | 5.5 mm |
| ∅ | 4.8 mm |
| Art. No. | COD-PIT |

Q-Clicq™ Impression Transfer




| | |
|----------|--------|
| L | 3.8 mm |
| ∅ | 8.8 mm |
| Art. No. | COD-IT |

Q-Clicq™ Metal Housing (2pcs/pack)



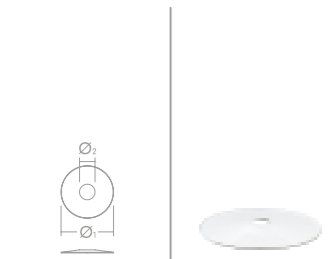
| | |
|----------|--------|
| L | 2 mm |
| ∅ | 4.5 mm |
| Art. No. | COD-MC |

Q-Clicq™ RetentiveCap (4 pcs/pack)



| | | | | | |
|----------|-------------------------------------|----------------------------|-----------------------|----------------------------------|---------------------------|
| | Lab use only Black laboratory | Ex-Soft Yellow 0.6kg | Soft Pink 1.2kg | Standard Transparent 1.8kg | Strong Violet 2.7kg |
| L | 1.7 mm | 1.7 mm | 1.7 mm | 1.7 mm | 1.7 mm |
| ∅ | 3.8 mm | 3.8 mm | 3.8 mm | 3.8 mm | 3.8 mm |
| Art. No. | COD-RCB | COD-RCY | COD-RCP | COD-RCT | COD-RCV |

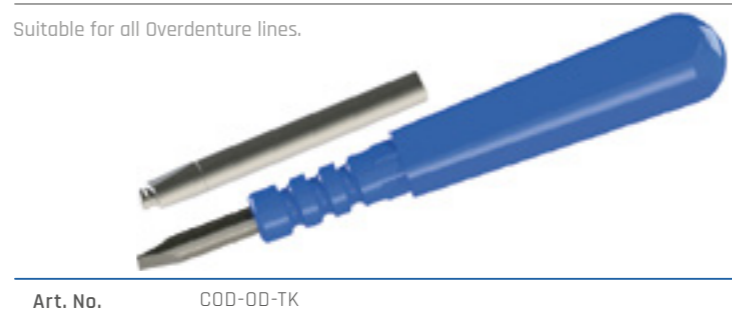
ProtectiveDisc (4 pcs/pack)



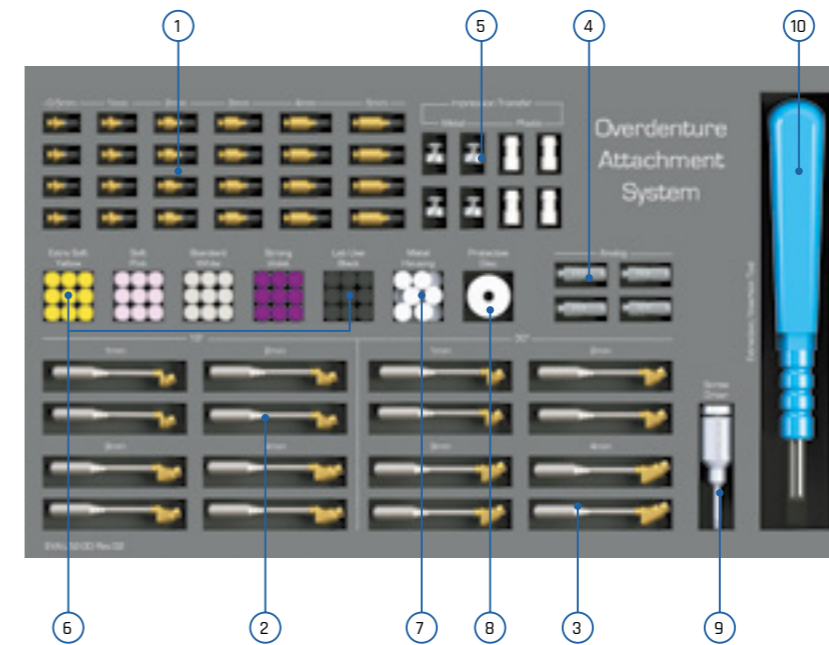
| | |
|----------|---------|
| ∅1 | 13.5 mm |
| ∅2 | 2 mm |
| Art. No. | COD-PD |

Insertion & Extraction Tool for Overdenture Attachments

Suitable for all Overdenture lines.



Clicq Attachments Professional Kit



1. Straight Titanium Clicq - 0.5-5 mm
2. Angled Titanium Clicq 18° - 1-4 mm
3. Angled Titanium Clicq 30° - 1-4 mm
4. Abutment Analogs
5. Pick Up Impression Transfer
6. Retentive Caps
7. Metal Housing
8. Protective Disc
9. Screw Driver
10. Insertion & Extraction Tool

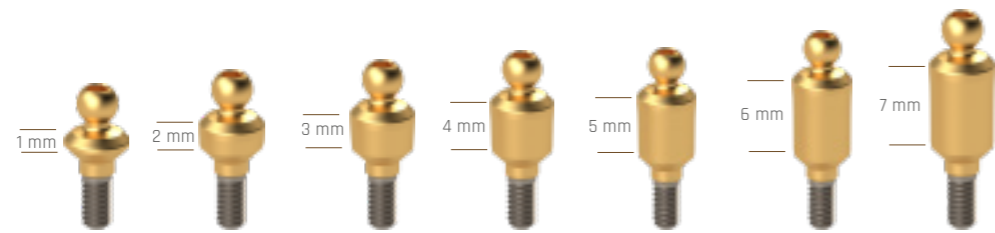
**SPECIAL ORDER
ONLY - 90 DAYS
DELIVERY TIME**

Professional Kit

| Art. No. | COD-RPPK | | |
|-----------|----------|--------|--|
| COD-05 | | 4 pcs | |
| COD-1 | | 4 pcs | |
| COD-2 | | 4 pcs | |
| COD-3 | | 4 pcs | |
| COD-4 | | 4 pcs | |
| COD-5 | | 4 pcs | |
| COD-18-1 | | 2 pcs | |
| COD-18-2 | | 2 pcs | |
| COD-18-3 | | 2 pcs | |
| COD-18-4 | | 2 pcs | |
| COD-30-1 | | 2 pcs | |
| COD-30-2 | | 2 pcs | |
| COD-30-3 | | 2 pcs | |
| COD-30-4 | | 2 pcs | |
| COD-AN | | 4 pcs | |
| COD-PU | | 4 pcs | |
| COD-PT | | 4 pcs | |
| SCL-Y | | 8 pcs | |
| SCL-P | | 8 pcs | |
| SCL-T | | 8 pcs | |
| SCL-V | | 8 pcs | |
| SCL-B | | 8 pcs | |
| COD-MC | | 10 pcs | |
| COD-PD | | 10 pcs | |
| COD-HND | | 1 pcs | |
| COD-OD-TK | | 1 pcs | |



Prosthetics /
Removable Overdenture Abutments
Ball-Attachments and Accessories



| | | | | | | | |
|----------|------------------|------------------|------------------|------------------|------|------|------|
| Art. No. | BA-1 NL-BA-1# | BA-2 NL-BA-2# | BA-3 NL-BA-3# | BA-4 NL-BA-4# | BA-5 | BA-6 | BA-7 |
|----------|------------------|------------------|------------------|------------------|------|------|------|

Description Ball-Attachment, gold color coated, incl. 1 SCB, 1 BA-SP, 1 - MCB Metal Cap 1, 2, 3, 4, 5, 6, or 7 mm

#NL = Narrow Line for 3.0 & 3.3 mm Ø Implants



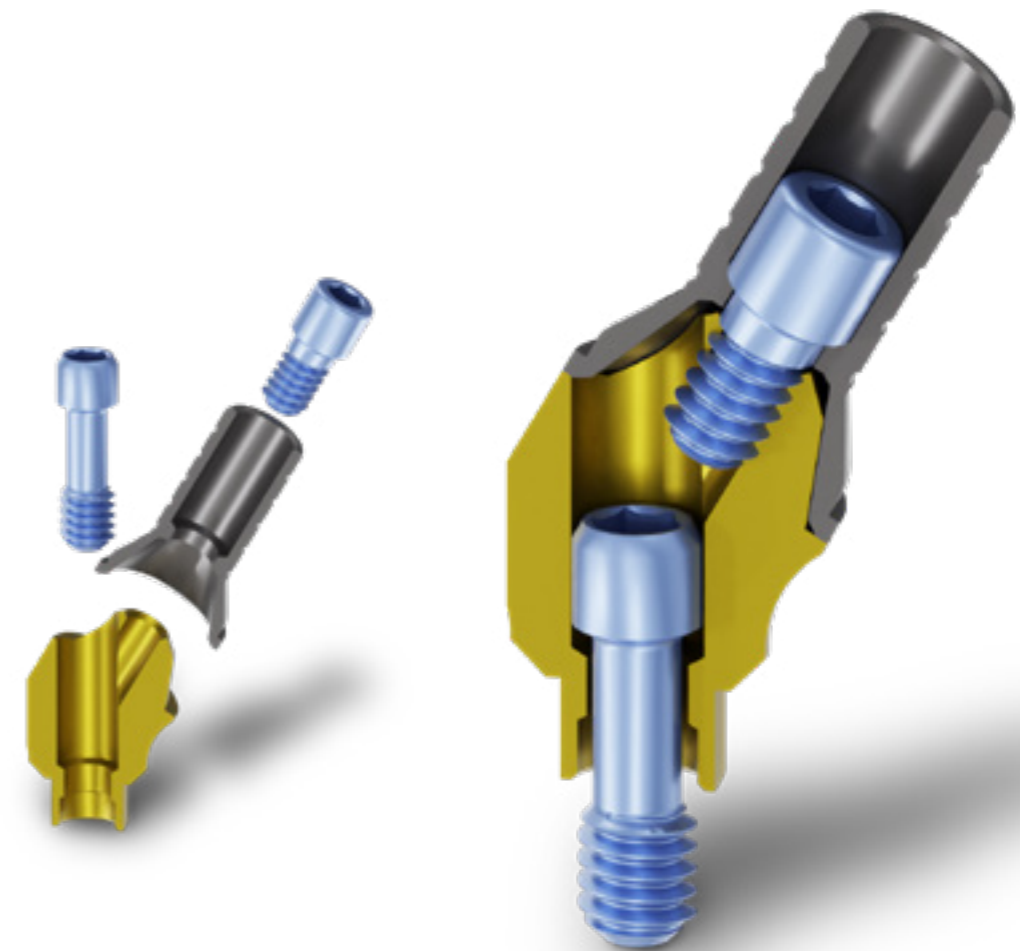
| | | | | | | | |
|----------|-------|-------|-------|-------|-------|-------|-----|
| Art. No. | SCB-T | SCB-P | SCB-Y | SCB-G | SCB-B | BA-SP | MCB |
|----------|-------|-------|-------|-------|-------|-------|-----|

Description

- SCB: Silicone Adhesive Caps for Ball Attachment
- SCB-T: Transparent (4 pcs.): slightly elastic, retention 2.5-2.9 lbs (1.13 - 1.32 kg)
- SCB-P: Pink (4 pcs.): elastic, retention 1.75-2.0 lbs (0.79 - 0.90 kg)
- SCB-Y: Yellow (4 pcs.): very elastic, retention 1.0-1.3 lbs (0.45 - 0.6 kg)
- SCB-G: Green (4 pcs.): extremely elastic, retention <1 lbs (<0.45 kg)
- SCB-B: Black (4 pcs.): for laboratory use only
- BA-SP: Separator O-Rings for Ball Attachment and Clicq™ Overdenture
- MCB: Metal Insert Cap for Ball Attachment Prosthesis



Prosthetics
Multi Units straight and angled



Screw Receiving Abutments

One Piece Multi-Unit Abutments, straight and angled

Multi-Unit KS-System

Also available in Narrow Line NL

0°

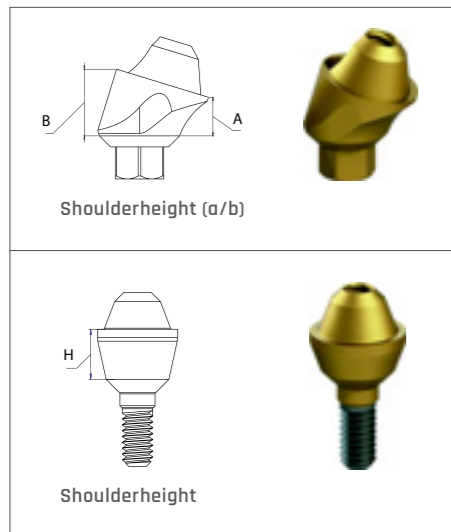
- MU-KS10**
NL-MU-KS10
Standard Line
Straight Multi Unit
1 mm Shoulder
- MU-KS20**
NL-MU-KS20
Standard Line
Straight Multi Unit
2 mm Shoulder
- MU-KS30**
NL-MU-KS30
Standard Line
Straight Multi Unit
3 mm Shoulder
- MU-KS40**
NL-MU-KS40
Standard Line
Straight Multi Unit
4 mm Shoulder

17°

- MU-KS1710^**
NL-MU-KS1710^
Standard Line
17° angled Multi Unit
1 mm/2.4 mm Shoulder
(a/b)
- MU-KS1720^**
NL-MU-KS1720^
Standard Line
17° angled Multi Unit
2 mm/3.3 mm Shoulder
(a/b)
- MU-KS1710H^**
NL-MU-KS1710H^
Standard Line
17° angled Multi Unit
1 mm/2.4 mm Shoulder
(a/b)
with Anti-rotation
- MU-KS1720H^**
NL-MU-KS1720H^
Standard Line
17° angled Multi Unit
2 mm/3.3 mm Shoulder
(a/b)
with Anti-rotation

30°

- MU-KS3010^**
NL-MU-KS3010^
Standard Line
30° angled Multi Unit
1 mm/3.3 mm Shoulder
(a/b)
- MU-KS3020^**
NL-MU-KS3020^
Standard Line
30° angled Multi Unit
2 mm/4.4 mm Shoulder
(a/b)
- MU-KS3010H^**
NL-MU-KS3020H^
Standard Line
30° angled Multi Unit
1 mm/3.3 mm Shoulder
(a/b)
with Anti-rotation
- MU-KS3020H^**
NL-MU-KS3020H^
Standard Line
30° angled Multi Unit
2 mm/4.4 mm Shoulder
(a/b)
with Anti-rotation



^Inclusive TSAMU Titanium Screw for one piece angled Multi Unit
^Inclusive MU-TSA Titanium Screw & MU-HD Holder for one piece angled Multi Unit

Screw Receiving Abutments

One Piece Multi-Unit Abutments, straight and angled

Multi-Unit KS-System

Also available in Narrow Line NL

- MU-KS10K**
NL-MU-KS10K
Multi Unit Set
1 mm Shoulder height
Set Image & Inclusive
Parts see below
- MU-KS20K**
NL-MU-KS20K
Multi Unit Set
2 mm Shoulder height
Set Image & Inclusive
Parts see below
- MU-KS30K**
NL-MU-KS30K
Multi Unit Set
3 mm Shoulder height
Set Image & Inclusive
Parts see below
- MU-KS40K**
NL-MU-KS40K
Unit Set
4 mm Shoulder height
Set Image & Inclusive
Parts see below

17°

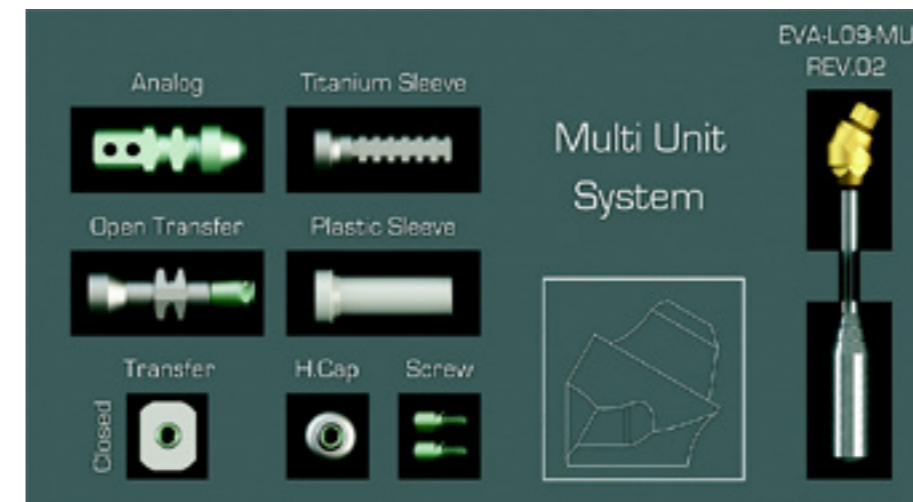
- MU-KS1710K**
NL-MU-KS1710K
17° angled Multi Unit Set
1 mm/2.4 mm Shoulder height
(a/b)
Set Image & Inclusive
Parts see below
- MU-KS1720K**
NL-MU-KS1720K
17° angled Multi Unit Set
2 mm/3.3 mm Shoulder height
(a/b)
Set Image & Inclusive
Parts see below

30°

- MU-KS3010K**
NL-MU-KS3010K
30° angled Multi Unit Set
1 mm/3.3 mm Shoulder height
(a/b)
Set Image & Inclusive
Parts see below
- MU-KS3020K**
NL-MU-KS3020K
30° angled Multi Unit Set
2 mm/4.4 mm Shoulder height
(a/b)
Set Image & Inclusive
Parts see below

Multi Unit Set Components

Inclusive: Healing Cap, open and closed TrAnsfer, Plastic Sleeve, Titanium Sleeve, Analog & 2 Screws



Note: Illustration for display purposes only. The items are supplied in blister packaging.

Screw Receiving Abutments One Piece Angled Multi Unit & Straight Multi Unit KS System Kits

| Image | Item No. | Description |
|-------------------|----------|---|
| Image Shown Below | na | Multi Unit Professional Kit Image & Included Parts Show Below |

Multi Unit Professional Kit Parts:

Accessories Included

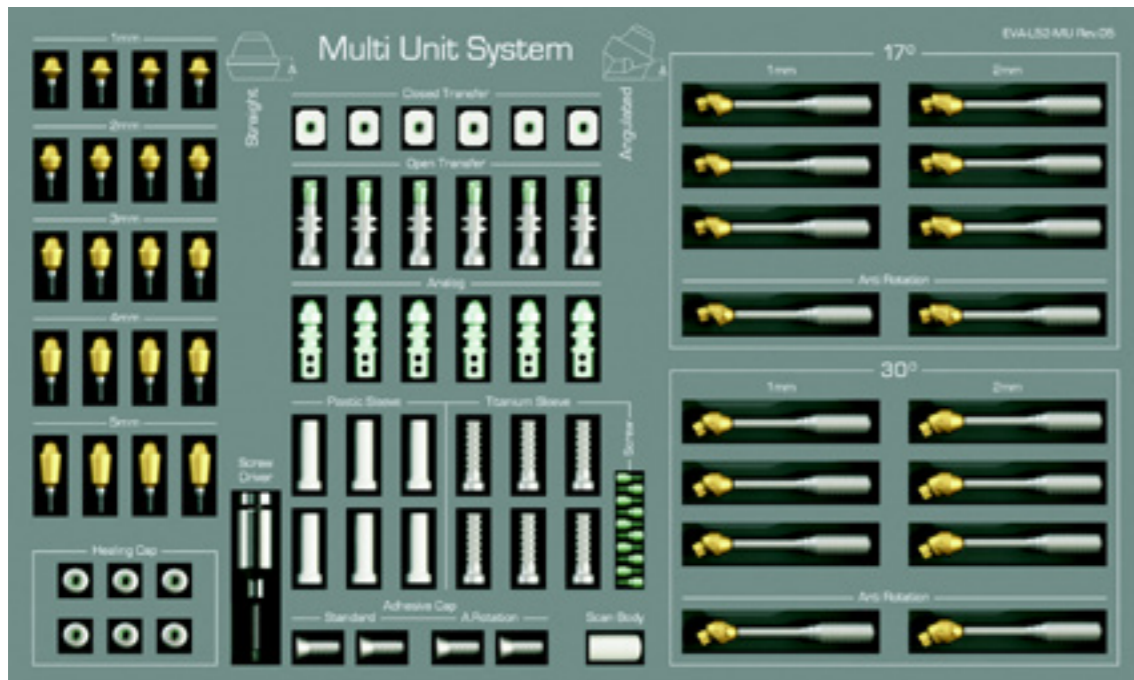
| Item Code | Description | QTY |
|------------|------------------------------|-----|
| MU-KSAN | Analog Abutment | 6 |
| MU-KSOTT | Open Tray Transfer | 6 |
| MU-KSSL | Titanium Sleeve | 6 |
| MU-KSPT | Closed Tray Transfer | 6 |
| MU-KSHC | Healing Cap Includes Screw | 6 |
| MU-KSSLP | Plastic Sleeve | 6 |
| MU-KSAC-R | Rotational Adhesive Cap | 2 |
| MU-KSAC-AR | Anti Rotational Adhesive Cap | 2 |
| MU-KSTS | Screw for Cone Connection | 10 |
| HHDA | Screw Driver | 1 |
| MU-KS-SB | Scan Body | 1 |

Abutments Included

Includes Screw MU-TSA and Carrier MU-HD not sold individually:

| Item Code | QTY |
|------------|-----|
| MU-KS10 | 4 |
| MU-KS20 | 4 |
| MU-KS30 | 4 |
| MU-KS40 | 4 |
| MU-KS50 | 4 |
| MU-KS1710 | 3 |
| MU-KS1720 | 3 |
| MU-KS1710H | 1 |
| MU-KS1720H | 1 |
| MU-KS3010 | 3 |
| MU-KS3020 | 3 |
| MU-KS3010H | 1 |
| MU-KS3020H | 1 |

COMING SOON



Screw Receiving Abutments One Piece Multi-Unit Abutments, straight and angled Multi-Unit KS-System - Overview



REF MU-KSAN
Analog Abutment for
Multi Unit KS System
(Cone with M 1.6 X 0.35),



REF MU-KSHC
Healing Cap for
Multi Unit KS System
(Assembled with REF
MU-KSTS Titanium Screw)



REF MU-KSOTT
Open Transfer for All on 4 / on 6
Multi Unit KS System
(REF MU-KSTSOT
Titanium Screw inclusive),



REF MU-KSSLP
Plastic Sleeve for
Multi Unit KS System
(REF MU-KSTS
Titanium Screw inclusive)



REF MU-KSSL
Titanium Sleeve for
Multi Unit KS System
(REF MU-KSTS Titanium Screw
inclusive)



REF MU-KSAC-R
Adhesive Cap, rotating
(REF MU-KSTS Titanium Screw inclusive)

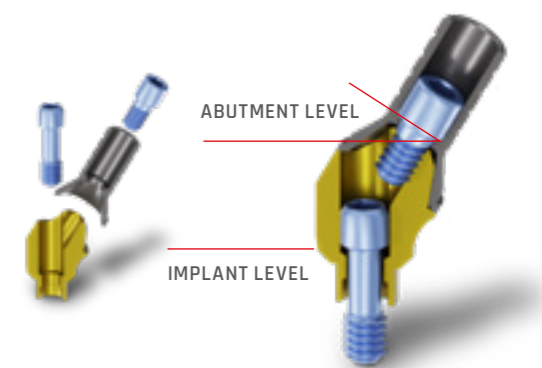
REF MU-KSAC-AR
Adhesive Cap, non-rotating
*for single restoration
(REF MU-KSTS Titanium Screw inclusive)



REF MU-KSPT
Closed Plastic Transfer for Multi Unit
KS System
(Assembled with REF MU-KSTS Titanium
Screw REF MU-KSPTB Basis for closed
Transfer)



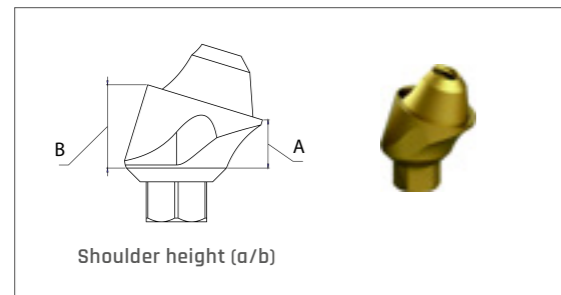
REF MU-KSTS
Titanium Screw for
Multi Unit Cone ABUTMENT LEVEL
M 1.6 X 0.35 - KS System



Screw Receiving Abutments 2-piece Multi-Unit Abutments, straight and angled

| | | |
|--|----------|---|
| | MUL-17-1 | Multi Unit 17° angled 1 mm Shoulder H (a) incl. Picture 1 |
| | MUL-17-2 | Multi Unit 17° angled 2 mm Shoulder H (a) incl. Picture 1 |
| | MUL-17-3 | Multi Unit 17° angled 3 mm Shoulder H (a) incl. Picture 1 |
| | MUL-30-1 | Multi Unit 30° angled 1 mm Shoulder H (a) incl. Picture 1 |
| | MUL-30-2 | Multi Unit 30° angled 2 mm Shoulder H (a) incl. Picture 1 |
| | MUL-30-3 | Multi Unit 30° angled 3 mm Shoulder H (a) incl. Picture 1 |

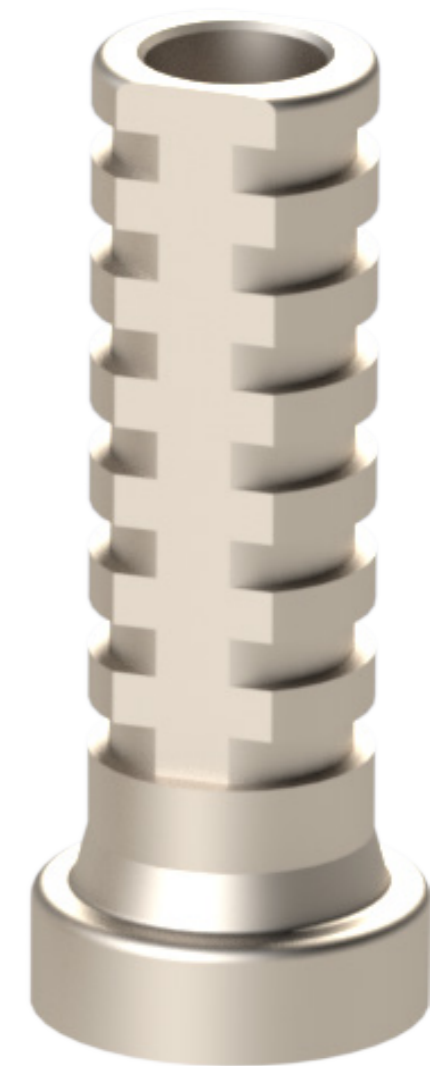
| | | |
|--|-------------|---|
| | MUL-COD-0.5 | Clicq™ Overdenture .5 mm Shoulder H incl. Picture 2 |
| | MUL-COD-1 | Clicq™ Overdenture 1 mm Shoulder H incl. Picture 2 |
| | MUL-COD-2 | Clicq™ Overdenture 2 mm Shoulder H incl. Picture 2 |
| | MUL-SAM-1 | Clicq™ Overdenture Straight Attachment 1 mm Shoulder H incl. Picture 2 |
| | MUL-SAM-2 | Clicq™ Overdenture Straight Attachment 2 mm Shoulder H incl. Picture 2 |
| | MUL-BA-1 | Ball-Attachment 1 mm Shoulder H incl. Picture 3 |
| | MUL-BA-2 | Ball-Attachment 2 mm Shoulder H incl. Picture 3 |



Accessories for 2-piece Multi-Units, straight and angled

| | | |
|--|------------|---|
| | MUL-TSCA | Titanium Sleeve for Attachment-Abutment for Multi Unit Incl. MUL-SCS |
| | MUL-OTSCA | Open Transfer for Attachment-Abutment for Multi Unit, Incl. MUL-SOT |
| | MUL-TTA-9 | Temporary Titanium- 9 mm-Abutment for Multi Unit |
| | MUL-TTA-12 | Temporary Titanium- 12 mm-Abutment for Multi Unit |
| | MUL-STA-9 | Straight Abutment |
| | MUL-SCS | Screw for straight Attachment-Abutment for Multi Unit |
| | MUL-PSCA | Plastic Sleeve for Attachment- Abutment for Multi Unit Incl. MUL-SCS |
| | MUL-SMU | Screw for MUL-17 & MUL-30 |

*Incl. MU-KSTS Titanium Screw

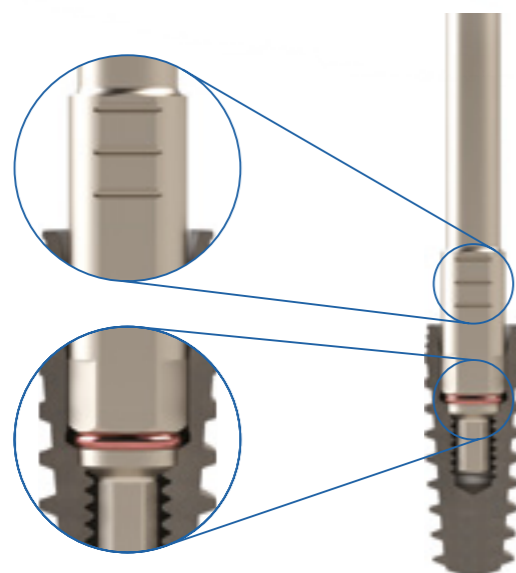
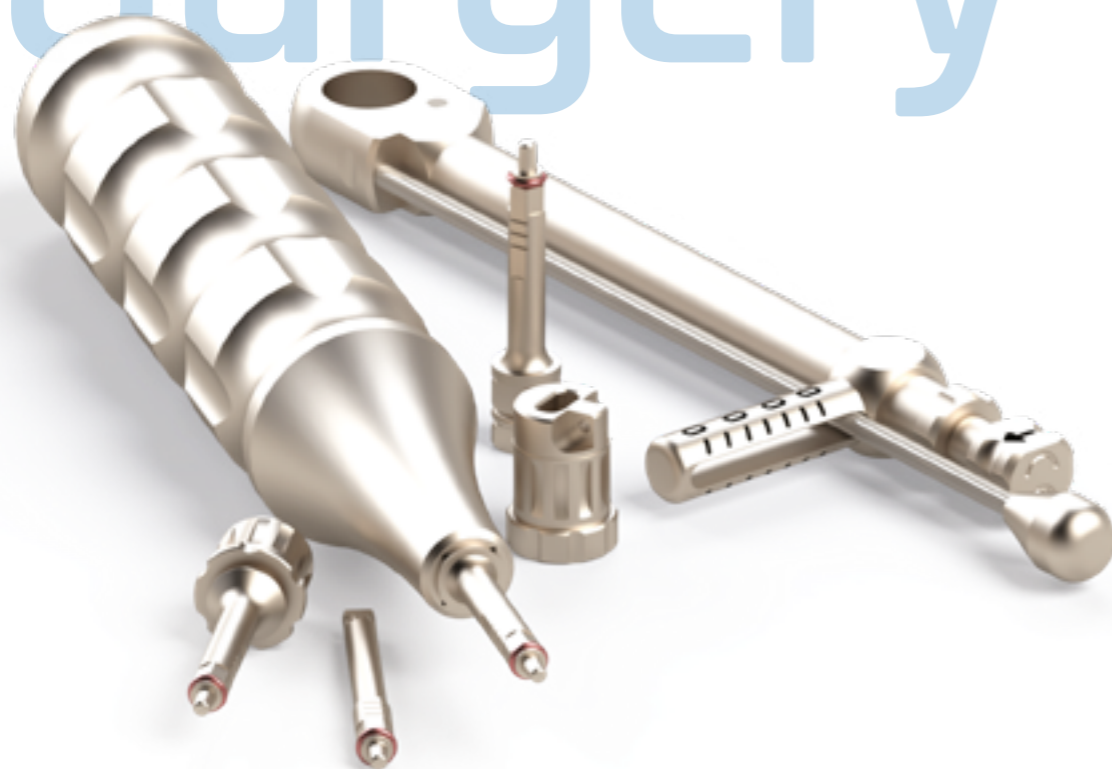


Compact Surgical Kit

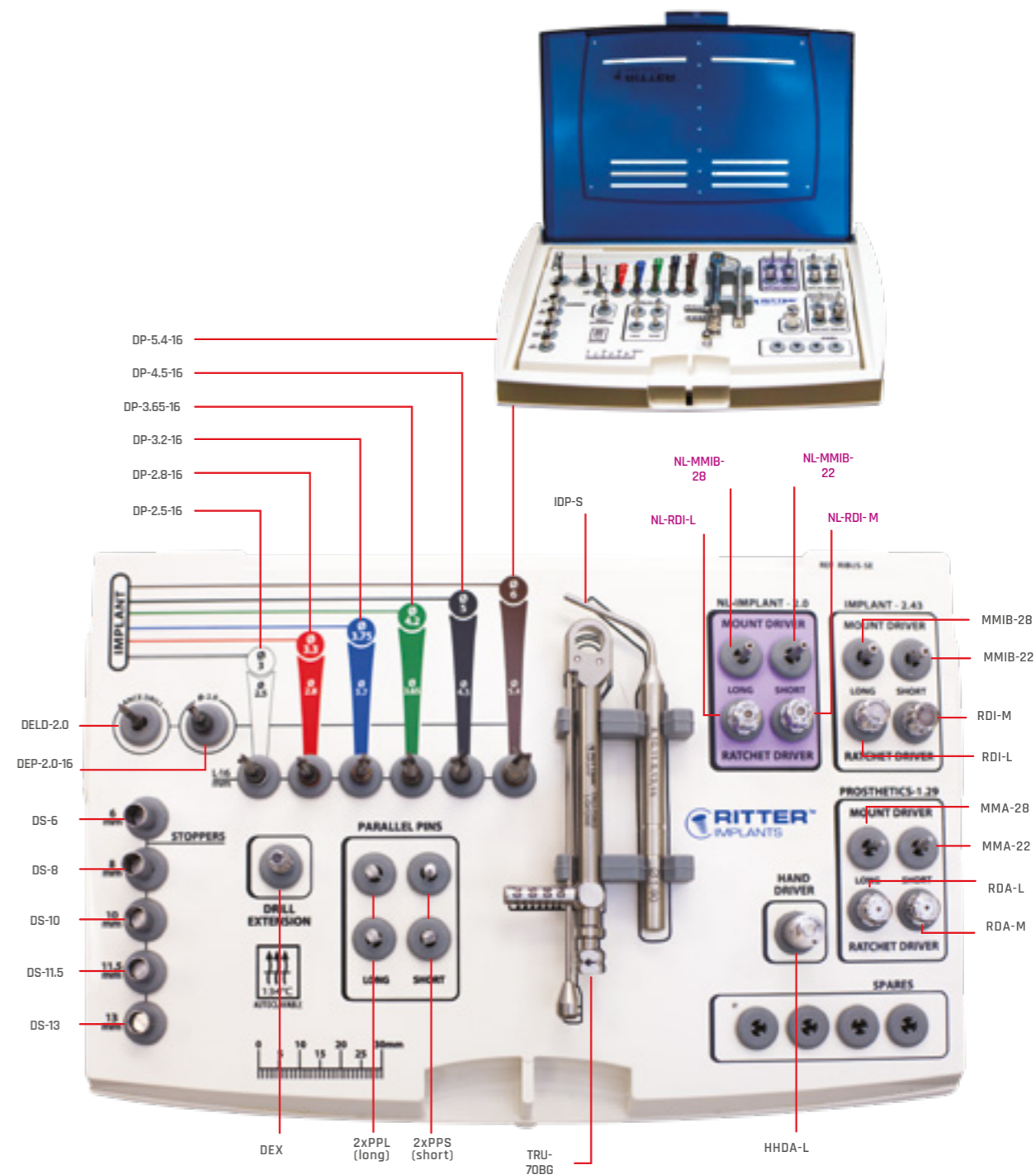
Art. No. RIBUS-SE

This Compact Surgical Kit contains all basic tools and drills to place all Ritter SB/LA Implants and system components. **The drill stop function is provided by stopper sleeves.**

Surgery



Many insertion tools / motor mounts are provided with a fixing mechanism to prevent loss of the temporary attachment and gingiva height markings in mm increments - for better orientation of the insertion depths.



Complete Surgical Kit

Art. No. RIBEU-PE

The Complete Surgical Kit contains all necessary tools and drills to place all Ritter SB/LA Implants and components. The drills are conical and with integrated drill stop function.



Conical Drills- External Irrigation (CEDP-Ømm-Lmm)

- COEP-6.0-6, -8, -10, -11.5, -13, -16
- COEP-5.0-6, -8, -10, -11.5, -13, -16
- COEP-4.2-6, -8, -10, -11.5, -13, -16
- COEP-3.75-6, -8, -10, -11.5, -13, -16
- COEP-3.5-6, -8, -10, -11.5, -13, -16
- COEP-3.0-6, -8, -10, -11.5, -13, -16
- COEP-3.0-6, -8, -10, -11.5, -13, -16

Motor Mount for Implant Self Loading -Hex 2.0
NL-MMIB-28
NL-MMIB-22

Motor Mount for Implant Self Loading -Hex 2.43
MMIB-28
MMIB-22

Ratchet Driver for Implant Hex 2.0
NL-RDI-L (long)
NL-RDI-M (short)

Ratchet Driver for Implant Hex 2.43
RDI-L (long)
RDI-M (short)

Direction Indicator Pin DPU

Drill Extender for external irrigation drills DEX

Torque Ratchet 70NCM with Bending Arm TRU-70BG

Standard Drill 2.0 External Irrigation & Lance 2 in 1 (Ømm)
DELD-2.0

Hard Bone Drills for Implants (Ømm)
CD-3.0
CD-3.3
CD-3.75
CD-4.2
CD-5.0

Hand Hex Driver for prosthetics 1.29 Hex
HHDA (long)
HHDA-S (short)

Motor Mount for Prosthetics 1.29 Hex
MMA-28

Ratchet Driver for Prosthetics 1.29 Hex
RDA-L (long)
RDA-M (short)

Surgical components, individually reorderable



| Art. No. | Description | PROTH. | RIBEU-PE | RIBUS-SE |
|-------------|--|--------|----------|----------|
| NL-MMIB-22# | Motor Mount 22 mm L for Implant (for Hex 2.0 Narrow Line) | | ✓ | ✓ |
| NL-MMIB-28# | Motor Mount 28 mm L for Implant (for Hex 2.0 Narrow Line) | | ✓ | ✓ |
| NL-RDI-M# | Ratchet Driver for Implant, medium | | ✓ | ✓ |
| NL-RDI-L | Ratchet Driver for Implant, long | | ✓ | ✓ |
| PPL | Parallel Pin Guide - 16 mm (long) | | | ✓ |
| PPS | Parallel Pin Guide - 10 mm (short) | | | ✓ |
| RDA-XS | Ratchet Driver for Prosthetics, short for Hex 1.29 mm | ✓ | | |
| RDA-M | Ratchet Driver for Prosthetics, medium for Hex 1.29 mm | ✓ | ✓ | ✓ |
| RDA-L | Ratchet Driver for Prosthetics, long for Hex 1.29 mm | ✓ | ✓ | ✓ |
| RDI-M | Ratchet Driver for Implant with Ratschenkopf, medium for Hex 2.43 mm | | ✓ | ✓ |
| RDI-L | Ratchet Driver for Implant with Ratschenkopf, long for Hex 2.43 mm | | ✓ | ✓ |
| TRU-70BG | 70NCM Torque Ratchet with Measuring Arm, | ✓ | ✓ | ✓ |

#NL = Narrow Line for ø 3.0 and ø 3.3 mm Implants

SCAN ME

Crestal Bone Turbine

Stopper

Implant Diameter Indicator

Always 0.5 mm longer than Implant length

3 mm 2 mm 5 mm

Stopper

5 mm 3 mm 2 mm

Flatside Indicator

3 mm 1 mm

Flatside Indicator

3 mm 1 mm

Marking Tip 3 mm Lance Drill

13 mm Twist Drill

6 mm
8 mm
10 mm
11.5 mm
13 mm
16 mm

Guided Drills - External Irrigation
(Ømm-Lmm)

- GSD-5.0-6
- GSD-5.0-8
- GSD-5.0-10
- GSD-5.0-11.5
- GSD-5.0-13
- GSD-5.0-16
- GSD-4.2-6
- GSD-4.2-8
- GSD-4.2-10
- GSD-4.2-11.5
- GSD-4.2-13
- GSD-4.2-16
- GSD-3.75-6
- GSD-3.75-8
- GSD-3.75-10
- GSD-3.75-11.5
- GSD-3.75-13
- GSD-3.75-16
- NL-GSD-3.3-10
- NL-GSD-3.3-11.5
- NL-GSD-3.3-13
- NL-GSD-3.3-16
- NL-GSD-3.0-10
- NL-GSD-3.0-11.5
- NL-GSD-3.0-13
- NL-GSD-3.0-16

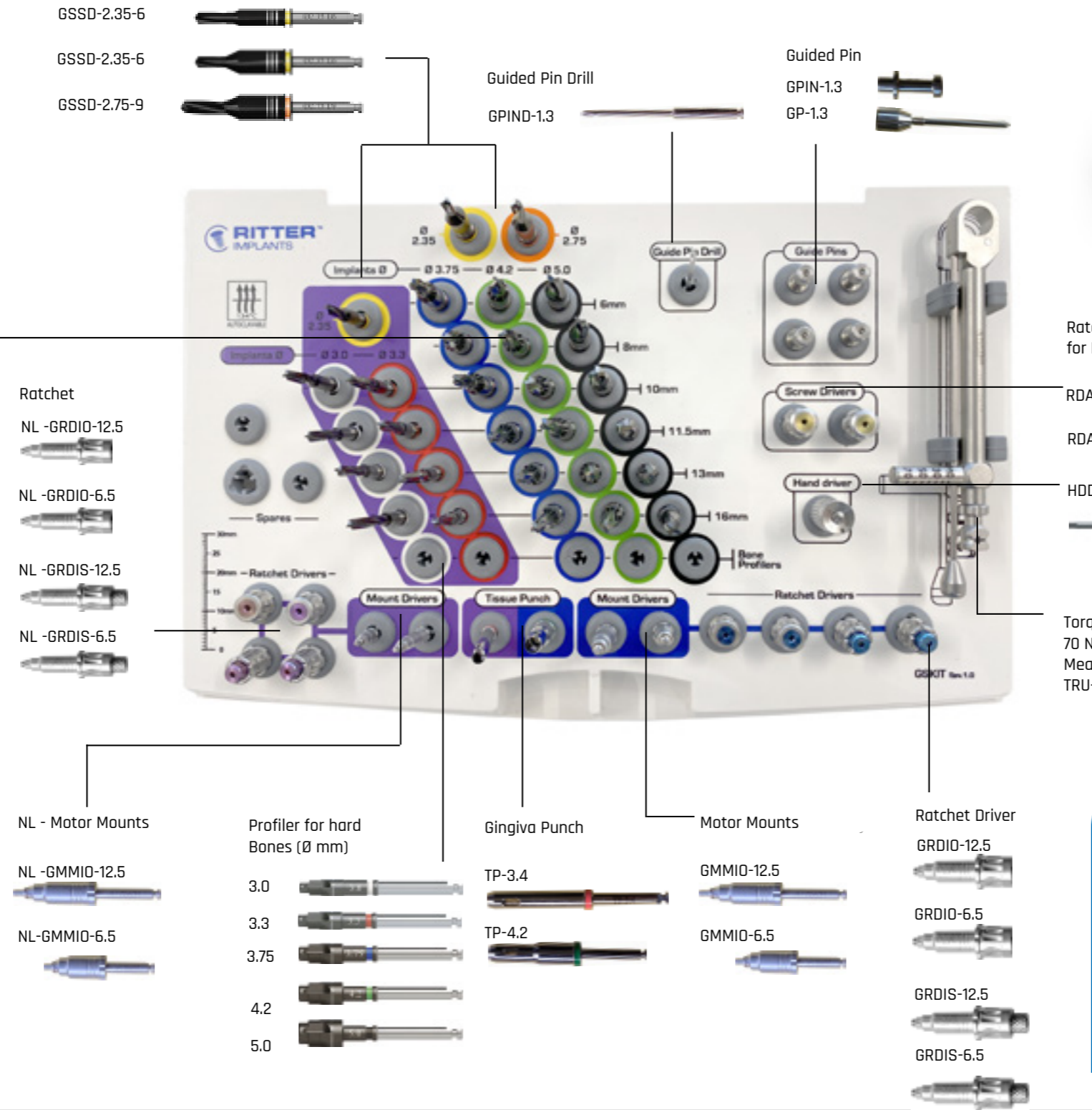
**Fully Guided Kit
navigated surgical kit**

Art. No. GS-KIT



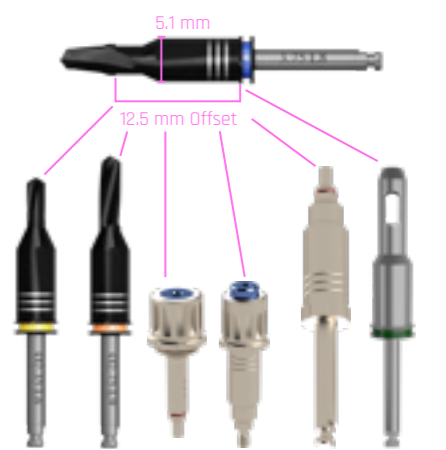
SCAN ME

This guided system contains all the tools and drills necessary to perform a guided operation with all diameters, including narrow line.
Class IIa (CE1023) Category



Ratchet Driver for Prosthetics 1.29 Hex

STANDARD LINE



NARROW LINE



UNIVERSAL



Laboratory/Prosthetics Kit complete

Art. No. RIB-PROS

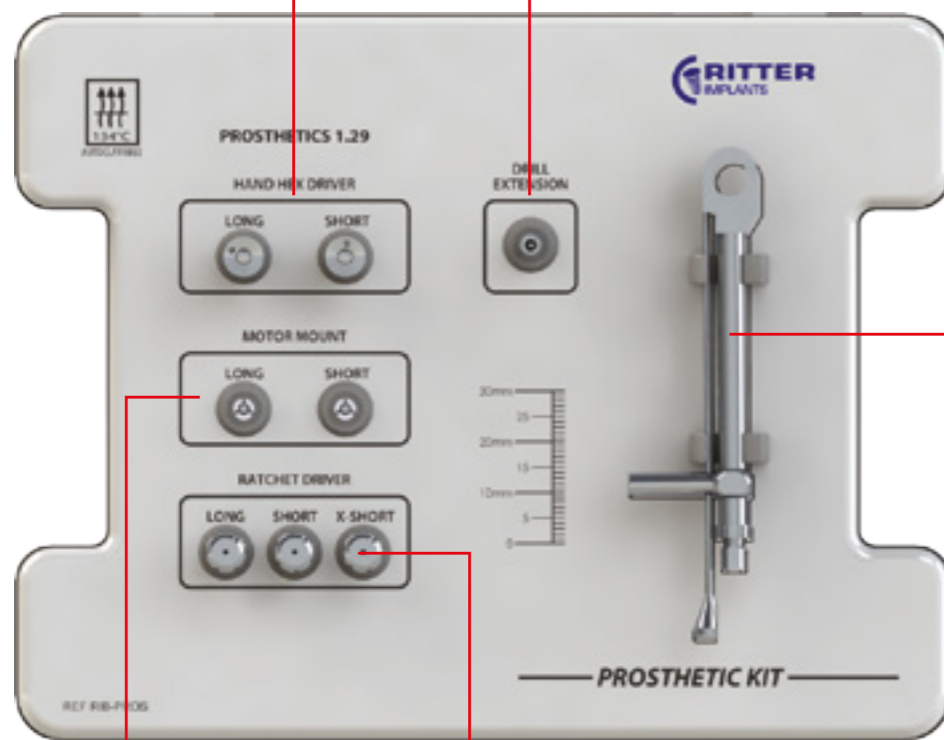
The Laboratory Kit with all the necessary tools for prosthetics components.



Hand Driver for prosthetic components 1.29 Hex



Drill extensions for externally irrigated drills



Motor-Ratchet Driver for Prosthetics 1.29 Hex



Ratchet Driver for Prosthetics 1.29 Hex




























Surgical components, individually reorderable



| Art. No. | Description | PROTH. | RIBEU-PE | RIBUS-SE |
|-----------------|--|--------|----------|----------|
| CD-3.0 | Hardbone Drill | | ✓ | |
| CD-3.3 | Hardbone Drill | | ✓ | |
| CD-3.75 | Hardbone Drill | | ✓ | |
| CD-4.2 | Hardbone Drill | | ✓ | |
| CD-5.0 | Hardbone Drill | | ✓ | |
| CD-6.0 | Hardbone Drill | | ✓ | |
| CDEP-3.0-6,8,10 | Conical Drill, External Irrigation 2.5 mm D 10 mm L | | ✓ | |
| CDEP-3.0-11.5 | Conical Drill, External Irrigation 2.5 mm D 11.5 mm L | | ✓ | |
| CDEP-3.0-13 | Conical Drill, External Irrigation 2.5 mm D 13 mm L | | ✓ | |
| CDEP-3.0-16 | Conical Drill, External Irrigation 2.5 mm D 16 mm L | | ✓ | |
| CDEP-3.3-6,8,10 | Conical Drill, External Irrigation 2.8 mm D 10 mm L | | ✓ | |
| CDEP-3.3-11.5 | Conical Drill, External Irrigation 2.8 mm D 11.5 mm L | | ✓ | |
| CDEP-3.3-13 | Conical Drill, External Irrigation 2.8 mm D 13 mm L | | ✓ | |
| CDEP-3.3-16 | Conical Drill, External Irrigation 2.8 mm D 16 mm L | | ✓ | |
| CDEP-3.75-6 | Conical Drill, External Irrigation 3.2 mm D 6 mm L | | ✓ | |
| CDEP-3.75-8 | Conical Drill, External Irrigation 3.2 mm D 8 mm L | | ✓ | |
| CDEP-3.75-10 | Conical Drill, External Irrigation 3.2 mm D 10 mm L | | ✓ | |
| CDEP-3.75-11.5 | Conical Drill, External Irrigation 3.2 mm D 11.5 mm L | | ✓ | |
| CDEP-3.75-13 | Conical Drill, External Irrigation 3.2 mm D 13 mm L | | ✓ | |
| CDEP-3.75-16 | Conical Drill, External Irrigation 3.2 mm D 16 mm L | | ✓ | |
| CDEP-4.2-6 | Conical Drill, External Irrigation 3.65 mm D 6 mm L | | ✓ | |
| CDEP-4.2-8 | Conical Drill, External Irrigation 3.65 mm D 8 mm L | | ✓ | |
| CDEP-4.2-10 | Conical Drill, External Irrigation 3.65 mm D 10 mm L | | ✓ | |
| CDEP-4.2-11.5 | Conical Drill, External Irrigation 3.65 mm D 11.5 mm L | | ✓ | |
| CDEP-4.2-13 | Conical Drill, External Irrigation 3.65 mm D 13 mm L | | ✓ | |
| CDEP-4.2-16 | Conical Drill, External Irrigation 3.65 mm D 16 mm L | | ✓ | |
| CDEP-5.0-6 | Conical Drill, External Irrigation 4.5 mm D 6 mm L | | ✓ | |
| CDEP-5.0-8 | Conical Drill, External Irrigation 4.5 mm D 8 mm L | | ✓ | |
| CDEP-5.0-10 | Conical Drill, External Irrigation 4.5 mm D 10 mm L | | ✓ | |
| CDEP-5.0-11.5 | Conical Drill, External Irrigation 4.5 mm D 11.5 mm L | | ✓ | |
| CDEP-5.0-13 | Conical Drill, External Irrigation 4.5 mm D 13 mm L | | ✓ | |
| CDEP-5.0-16 | Conical Drill, External Irrigation 4.5 mm D 16 mm L | | ✓ | |
| CDEP-6.0-6 | Conical Drill, External Irrigation 5.4 mm D 6 mm L | | ✓ | |
| CDEP-6.0-8 | Conical Drill, External Irrigation 5.4 mm D 8 mm L | | ✓ | |
| CDEP-6.0-10 | Conical Drill, External Irrigation 5.4 mm D 10 mm L | | ✓ | |
| CDEP-6.0-11.5 | Conical Drill, External Irrigation 5.4 mm D 11.5 mm L | | ✓ | |
| CDEP-6.0-13 | Conical Drill, External Irrigation 5.4 mm D 13 mm L | | ✓ | |

Surgical components, individually reorderable

| Art. No. | Description | PROTH. | RIBEU-PE | RIBUS-SE |
|--|--|--------|----------|----------|
|  DELD-2.0 | Multi Purpose 2.0 Lance Starter Marking Drill | | ✓ | |
|  DEP-2.0-16 | Standard Drill 2.0 mm D 16 mm L External Irrigation | | | ✓ |
|  DEP-2.5-16 | Standard Drill 2.5 mm D 16 mm L External Irrigation | | | ✓ |
|  DEP-2.8-16 | Standard Drill 2.8 mm D 16 mm L External Irrigation | | ✓ | ✓ |
|  DEP-3.2-16 | Standard Drill 3.2 mm D 16 mm L External Irrigation | | | ✓ |
|  DEP-3.65-16 | Standard Drill 3.65 mm D 16 mm L External Irrigation | | | ✓ |
|  DEP-4.5-16 | Standard Drill 4.5 mm D 16 mm L External Irrigation | | | ✓ |
|  DEP-5.4-16 | Standard Drill 5.4 mm D 16 mm L External Irrigation | | | ✓ |
|  DEX | Drill Extension for External Irrigation Drill | ✓ | ✓ | ✓ |
|  DEX-SLIM | ThinDrill Extension for External Irrigation | | | |
|  DP-3.0 | Direction Pins for 3.0 mm D Implants | | ✓ | |
|  DP-3.3 | Direction Pins for 3.3 mm D Implants | | ✓ | |
|  DP-3.75 | Direction Pins for 3.75 mm D Implants | | ✓ | |
|  DP-4.2 | Direction Pins for 4.2 mm D Implants | | ✓ | |
|  DP-5.0 | Direction Pins for 5.0 mm D Implants | | ✓ | |
|  DP-6.0 | Direction Pins for 6.0 mm D Implants | | ✓ | |
|  DS-6 | Drill Stopper 6 mm (Universal) | | | ✓ |
|  DS-8 | Drill Stopper 8 mm (Universal) | | | ✓ |
|  DS-10 | Drill Stopper 10 mm (Universal) | | | ✓ |
|  DS-11.5 | Drill Stopper 11.5 mm (Universal) | | | ✓ |
|  DS-13 | Drill Stopper 13 mm (Universal) | | | ✓ |
|  HHDA-L | Hand Hex Driver for Prosthetics, Hex 1.29, long | ✓ | ✓ | ✓ |
|  HHDA-S | Hand Hex Driver for Prosthetics, Hex 1.29, short | ✓ | ✓ | |
|  IDP-S | Implant Depth Probe - single end | | | ✓ |
|  MMA-22 | Motor Mount 22 mm L for Prosthetics, (for Hex 1.29) | ✓ | ✓ | ✓ |
|  MMA-28 | Motor Mount 28 mm L for Prosthetics, (for Hex 1.29) | ✓ | ✓ | ✓ |
|  MM-ADP-7 | Motor Mount Adapter with Ballfriction 7 mm | | ✓ | |
|  MMIB-22 | Motor Mount 22 mm L for Implant (for Hex 2.43) | | ✓ | ✓ |
|  MMIB-28 | Motor Mount 28 mm L for Implant (for Hex 2.43) | | ✓ | ✓ |

Implant Motors

| Art. No. | Description |
|-----------|---------------|
| IMPTR110V | Implant Motor |

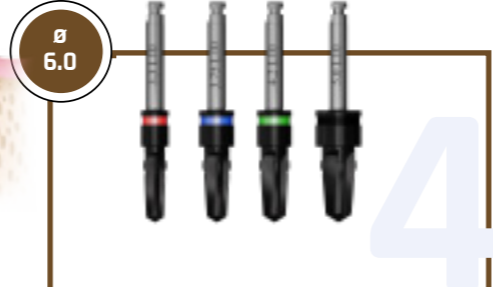
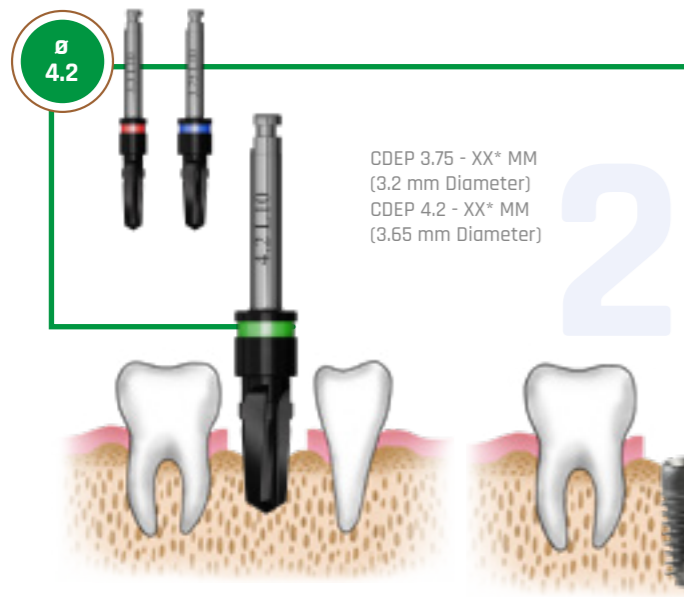


| | |
|----------|---|
| IMPTR003 | Implant Motor Sterile Replacement Tubes |
| | Connector D m: 0.15 cm |
| | Tube Dm: 0.3 cm L:330 cm |

Drilling Sequence

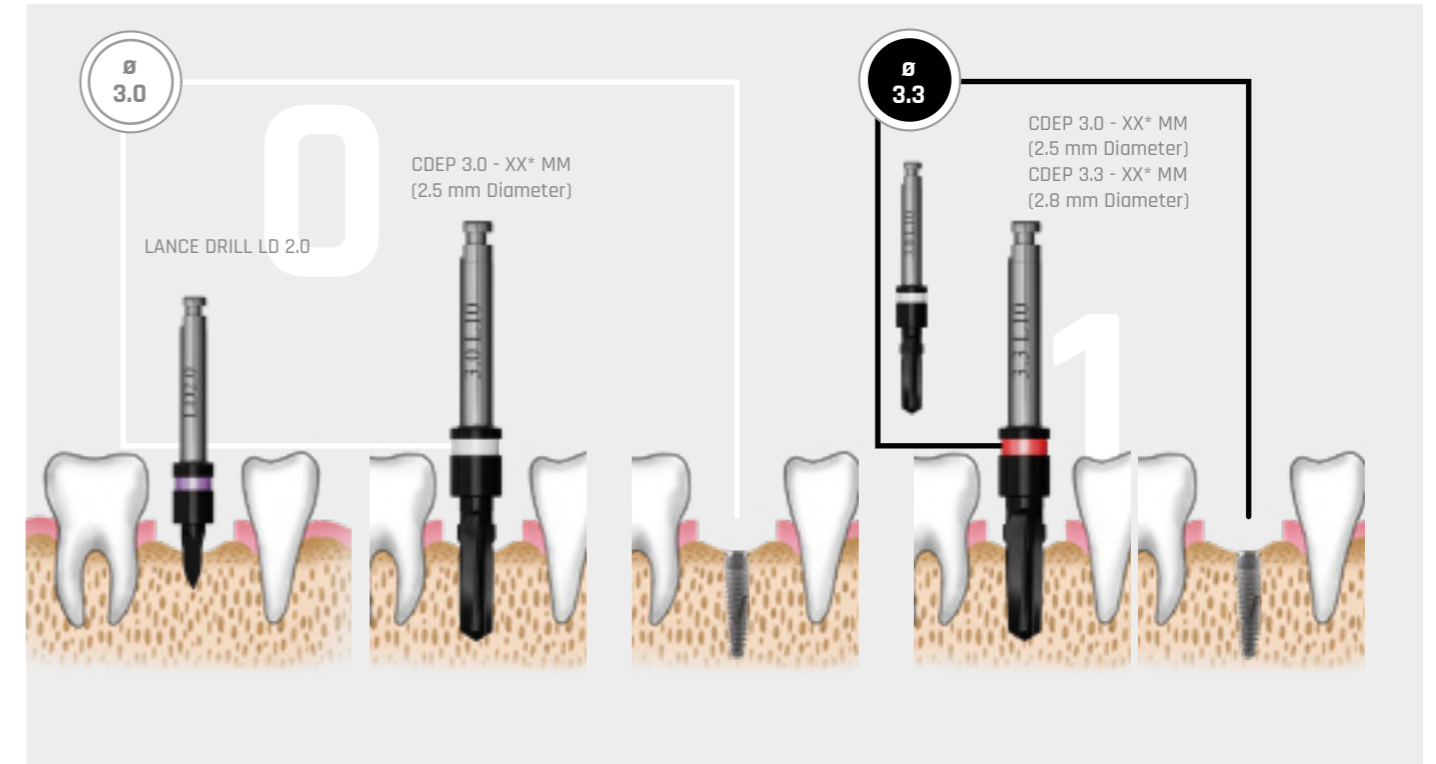
Standard Platform

| Implant Diameter | 3.75 | 4.2 | 5.0 | 6.0 |
|--|------|----------|---------|---------|
| Color Code | blue | green | black | brown |
| Previous of the regular drills with CDEP | 1 | 2 | 3 | 4 |
| Conical drill width CDEP | 3.2 | 3.2-3.65 | 3.2-4.5 | 3.2-5.4 |
| Final regular drill with max. depth / according to the length of the implant | 3.2 | 3.65 | 4.5 | 5.4 |



Narrow Line 3.0 and 3.3 mm Platform

| Implant Diameter | NL-3 | NL-3.3 |
|--|---------------------------|--------|
| Color Code | white | red |
| Previous of the regular drills with CDEP | -- only PilotDrill LD 2.0 | 1 |
| Conical Drillwidth CDEP | -- | 2.8 |
| Final regular drill with max. depth / according to the length of the implant | 2.5 | 2.8 |



Guided System Navigated surgery

| Implant Diameter | NL-3 | NL-3.3 | 3.75 | 4.2 | 5.0 |
|--|-------|--------|------|-------|-------|
| Color Code | white | red | blue | green | black |
| Previous Drill GSD | -- | 1 | 1 | 2 | 3 |
| Conical Drillwidth GSD | 2.8 | 3.1 | 3.75 | 4.1 | 4.9 |
| Final regular drill with max. depth / according to the length of the implant | 2.8 | 3.1 | 3.75 | 3.75 | 4.9 |

* OPTIONAL - depending on Implant Length

The Natural German Implant System

Predictable. Reliable. Innovative.

TITANIUM GRADE 5



Manufacturer: Ritter Implants GmbH & Co. KG · Freiburger Str. 45 · 88400 Biberach · Germany
Worldwide Sales: Ritter Dental USA · 4310 West Avenue · San Antonio · Texas 78213 · Fon 1.855.807.8111
All prices plus VAT and shipping costs - Pictures may differ from the original.
Errors and changes excepted. The terms and conditions apply. © Ritter Implants 2021

www.ritterimplants.com

**NOTICE: NOT ALL ITEMS OF THIS CATALOG ARE APPROVED FOR SALES IN ALL COUNTRIES.
PLEASE CHECK THE IMPORT REGULATIONS OF YOUR TERRITORY.**

